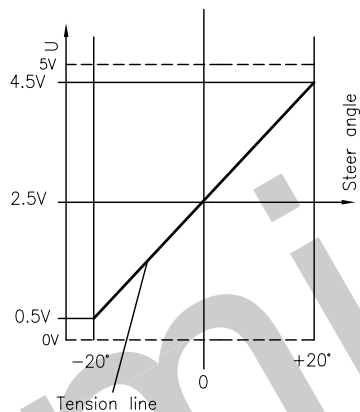
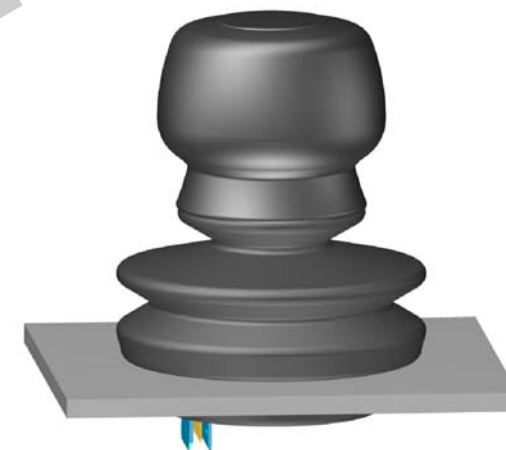


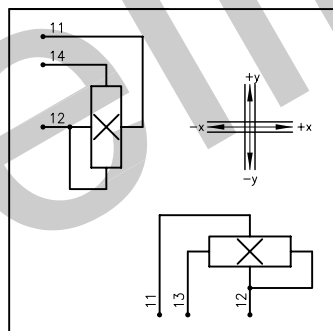
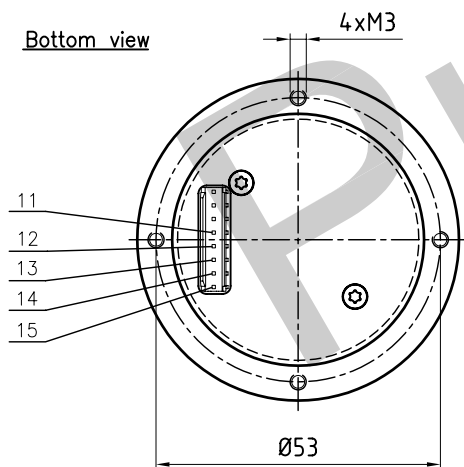
Output diagramm



Description	
Joystick Type SK 60-0794	
Number of axis	2-axis, x-axis, y-axis
Operation by	Handle
Cross guidance	rigid
Retaining spring	strong Z-Nr. 60-646
Plug: DUBOX Walled Header	8-poles: 76384-308
Counter plug: Dubox Housing	8-poles: 65240-008
Electrical characteristics	
Operating voltage	5V DC
Sensor	Hall principle
Pin	
11	Supply voltage 5V DC
12	Ground
13	x (-x=0.5V, middle=2.5V, +x=4.5V)
14	y (-y=0.5V, middle=2.5V, +y=4.5V)
15	Signal neutral position (<1V / >8V)



Bottom view



		Oberfläche	Maßstab 1:1	Position	Menge
		Datum	Name	Joystick	
		Bearb. 20.06.11	Kiener M.		
		Gepr.			
		Norm			
		GENGE & THOMA AG		60-0794	
		AG 01-2543 Lengnau/Bludenz			
Zust.	Änderungen	Datum	Name	Dateiname: E:\DWQ\DWQ_SK60_160-0794.dwg	Blatt Bl