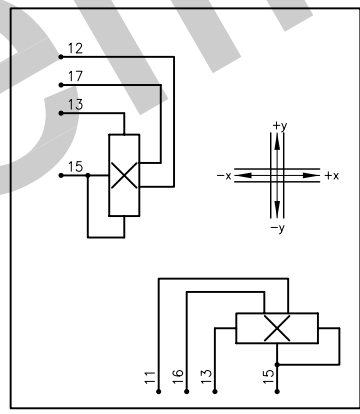
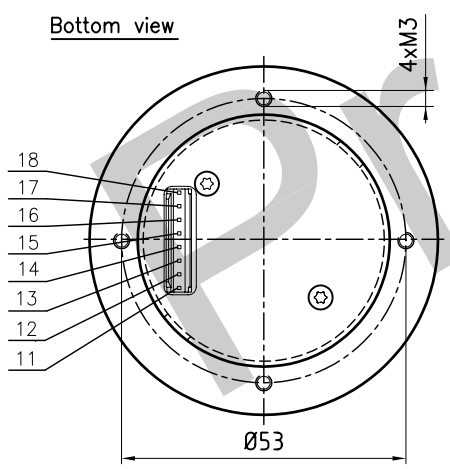
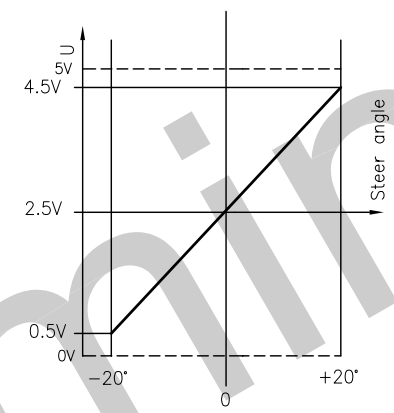


Output diagram



| Description   |                               |
|---|-------------------------------|
| Joystick Type SK 60-0822                                    |                               |
| Number of axes  | 2-axes, x-axis, y-axis        |
| Operation by  | Rubber bellow 48-203 (sealed) |
| Cross guidance  | rigid                         |
| Switch function   | none                          |
| Retaining spring  | normal, Z-Nr. 60-112          |
| Connector:<br>DUBOX Walled Header                           | 8-poles: 76384-308            |
| Mating connector:<br>Dubox Housing<br>Anti-rotation locking | 8-poles: 65240-008            |

| Electrical characteristics |                                    |
|----------------------------|------------------------------------|
| Operating voltage          | 5 V DC                             |
| Sensor                     | Hall effect                        |
| Pin                        |                                    |
| 11                         | x2 (-x=0.5V, middle=2.5V, +x=4.5V) |
| 12                         | y2 (-y=0.5V, middle=2.5V, +y=4.5V) |
| 13                         | Supply voltage (5V)                |
| 14                         | Do not use                         |
| 15                         | Ground                             |
| 16                         | x1 (-x=0.5V, middle=2.5V, +x=4.5V) |
| 17                         | y1 (-y=0.5V, middle=2.5V, +y=4.5V) |
| 18                         | Do not use                         |

|       |            | Oberfläche   | Maßstab 1:1 | Position                                | Menge |
|-------|------------|--|-------------|---|-------|
|       |            | Datum  | Name        | Joystick                                |       |
|       |            | Bearb. 22.11.11  | Kiener M.   |   |       |
|       |            | Gepr.  |             |   |       |
|       |            | Norm   |             |   |       |
|       |            | <b>GENGE &amp; THOMA AG</b><br><small>01-2543 Lengnau/Biel</small> |             | 60-0822                                 |       |
| Zust. | Änderungen | Datum  | Name        | Dateiname: E:\DWG\LSK_60\LSK60-0822.dwg | Blatt |
|       |            |  |             |   | Bl    |