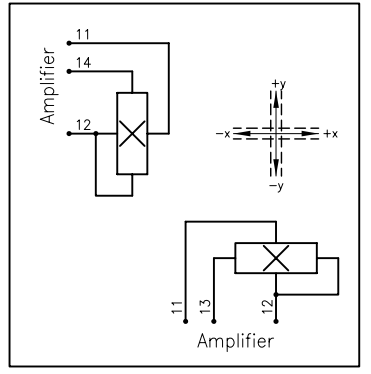


Description		
Joystick type SK 60-0880		
Number of axes	2-axes, x-axis, y-axis	
Operation by	Handle with three switches	
Connector: DUBOX Walled Header	1x 8-poles: 76384-308	
Mating connector: Dubox Housing Anti-rotation locking	1x 8-poles: 65240-008	
Cross guidance	soft	
Retaining spring	strong Z-Nr. 60-646	
Electrical characteristics		
Operating voltage	8-30V DC	
Sensor	Hall effect	
Type of switches	Otto P9	
Switches voltage	30V DC / 400mA	
Pin		
11	Supply voltage 8-30V DC	
12	Ground	
13	Output X-axis (TBD)	
14	Output Y-axis (TBD)	
Switch 1	Switch 2	Switch 3



		Oberfläche	Maßstab 1:1	Position	Menge
		Datum	Name	<b>Joystick</b>	
		Bearb. 04.09.2012	DR		
		Gepr.			
		Norm			
		<b>GENGE &amp; THOMA AG</b>		<b>60-0880</b>	
		<small>01-2543 Lengnau/Bliz</small>		Blatt	
Zust.	Änderungen	Datum	Name	Dateiname	Bl