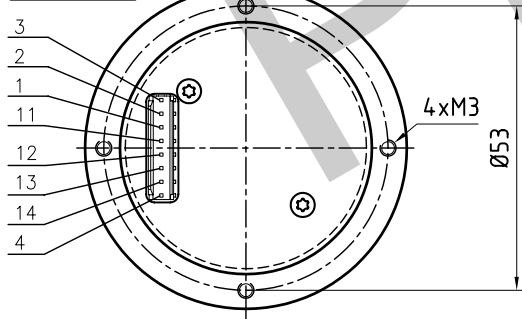


Description			
Joystick type SK 60-0885			
Number of axes	2-axes, x-axis, y-axis		
Operation by	Handle with 4 switches		
Cross guidance	soft		
Retaining spring	strong Z-Nr. 60-646		
Connector: DUBOX Walled Header	8-poles: 76384-308		
Mating connector: Dubox Housing	8-poles: 65240-008		
Electrical characteristics			
Operating voltage	8-30V DC		
Sensor	Hall effect		
Type of switches	Pushbutton (30V DC / 400mA)		
Pin			
11	Supply voltage 8-30V DC		
12	Ground		
13	x (-x=0.5V, middle=2.5V, +x=4.5V)		
14	y (-y=0.5V, middle=2.5V, +y=4.5V)		
Switch 1	Switch 2	Switch 3	Switch 4

Bottom view



		Oberfläche	Maßstab 1:1	Position	Menge
		Datum	Name	Joystick	
		Bearb. 03.10.12	Kiener M.		
		Gepr.			
		Norm			
		GENGE & THOMA AG			Blatt
		01-2543 Lengnau/Blf			Bl
Zust.	Änderungen	Datum	Name	Dateiname	