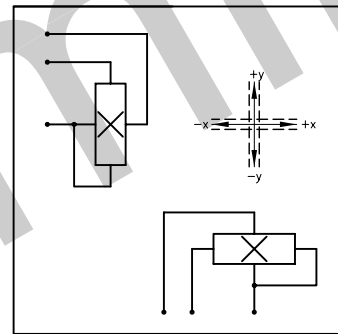
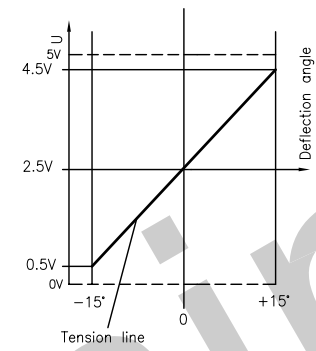
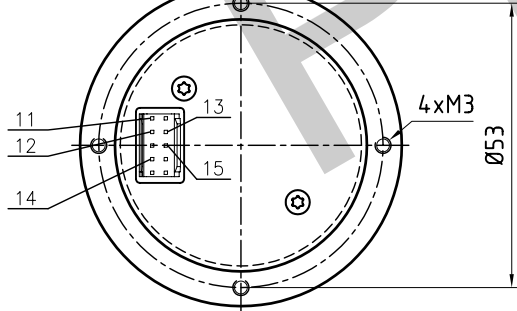


Output diagram  
X, Y-axis



Bottom view



Description			
Joystick type SK 60-0886			
Number of axes	2-axes, x-axis, y-axis		
Operation by	Handle with 4 switches		
Cross guidance	soft		
Retaining spring	strong Z-Nr. 60-646		
Connector: DUBOX Walled Header	10-poles: 76385-305		
Mating connector: Dubox Housing	10-poles: 65239-005		
Electrical characteristics			
Operating voltage	8-30V DC		
Sensor	Hall effect		
Type of switches	Otto P9 (30V DC / 400mA)		
Data communication	CANopen/10kbps-1Mbps/without terminating resistor		
Pin			
11	Ground		
12	CAN_H		
13	CAN_L		
14	Vcc (8-48V)		
15	Ground		
Switch 1	Switch 2	Switch 3	Switch 4

		Oberfläche	Maßstab 1:1	Position	Menge
		Datum	Name		
		Bearb. 04.10.12	Kiener M.	Joystick	
		Gepr.			
		Norm			
		<b>GENGE &amp; THOMA AG</b> <small>01-2543 Lengnau/Bl</small>		60-0886	Blatt
Zust.	Änderungen	Datum	Name	Dateiname	Bl