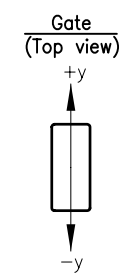
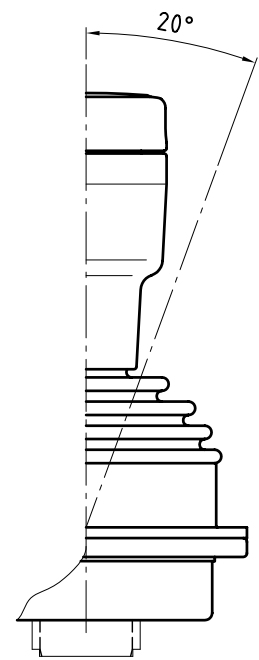
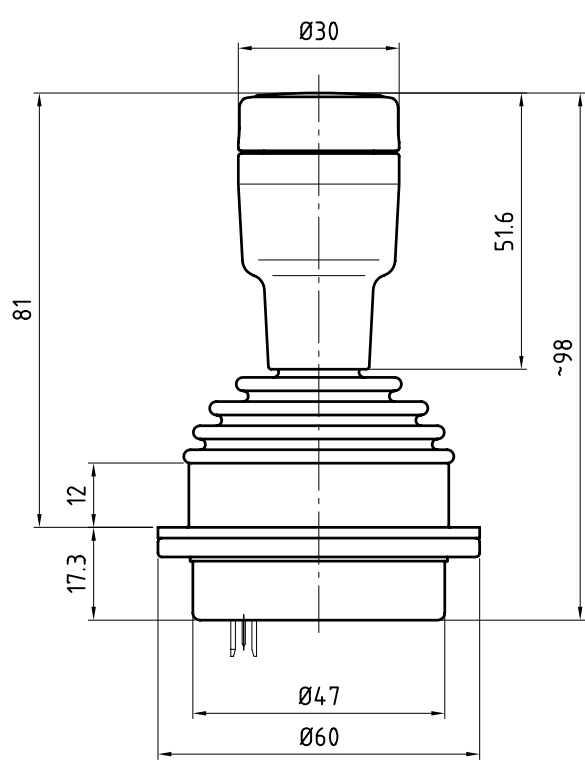
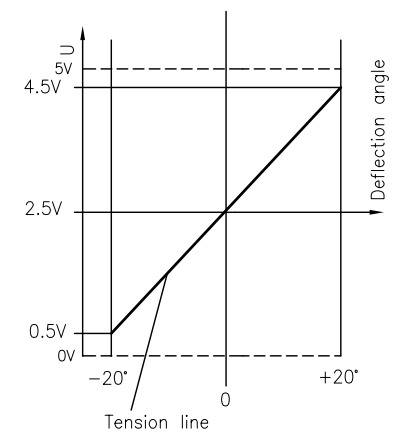


Description	
Joystick Type SK 60-0897	
Number of axes	1-axis, y-axis
Operation by	Goblet handle
Cross guidance	none
Switch function	none
Retaining spring	normal, Z-Nr. 60-112
Connector:	8-poles: 76384-308
DUBOX Walled Header	
Mating connector:	8-poles: 65240-008
Dubox Housing	
Anti-rotation locking	

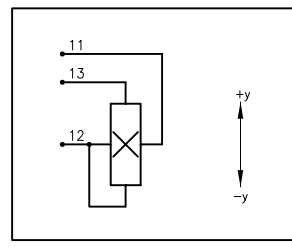
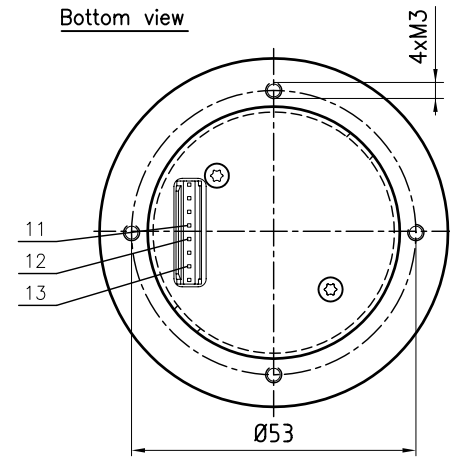
Electrical characteristics	
Operating voltage	5 V DC
Sensor	Hall Effect technology
Pin	
11	Supply voltage
12	Ground
13	y (-y=0.5V, middle=2.5V, +y=4.5V)



Output diagram



Bottom view



		Oberfläche	Maßstab 1:1	Position	Menge
		Datum	Name	Joystick	
		Bearb. 26.11.12	Kiener M.		
		Gepr.			
		Norm			
		<b>GENGE &amp; THOMA AG</b> <small>01-2543 Lengnau/Blot</small>		60-0897	
Zust.	Änderungen	Datum	Name	Dateiname: E:\DWG\LSK_60\LSK60-0897.dwg	Blatt
					Bl