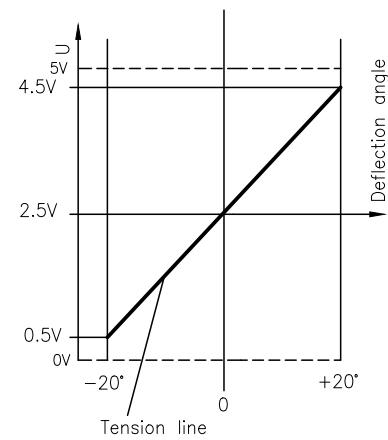
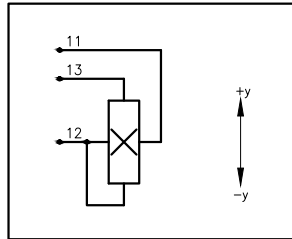
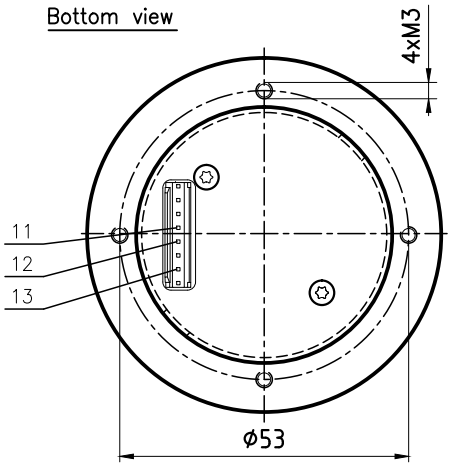


Output diagram



Bottom view



Description	
Joystick Type SK 60-0898	
Number of axes	1-axis, y-axis
Operation by	Sleek handle
Cross guidance	none
Switch function	none
Retaining spring	normal, Z-Nr. 60-112
Connector: DUBOX Walled Header	8-poles: 76384-308
Mating connector: Dubox Housing Anti-rotation locking	8-poles: 65240-008

Electrical characteristics	
Operating voltage	5 V DC
Sensor	Hall Effect technology
Pin	
11	Supply voltage
12	Ground
13	y (-y=0.5V, middle=2.5V, +y=4.5V)

		Oberfläche	Maßstab 1:1	Position	Menge
		Datum	Name	<b>Joystick</b>	
Bearb.	26.11.12	Kiener M.			
Gepr.					
Norm					
		EAO AG CH-4601 Olten		<b>60-0898</b>	
		<b>eao</b>			
Zust.	Änderungen	Datum	Name	Dateiname	E:\DW\SK_60\...SK60-0898.dwg
				Blatt	
				Bt	