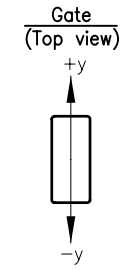
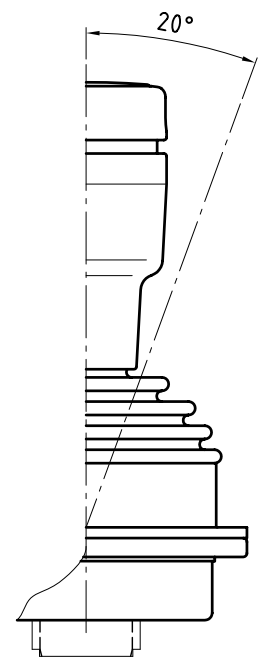
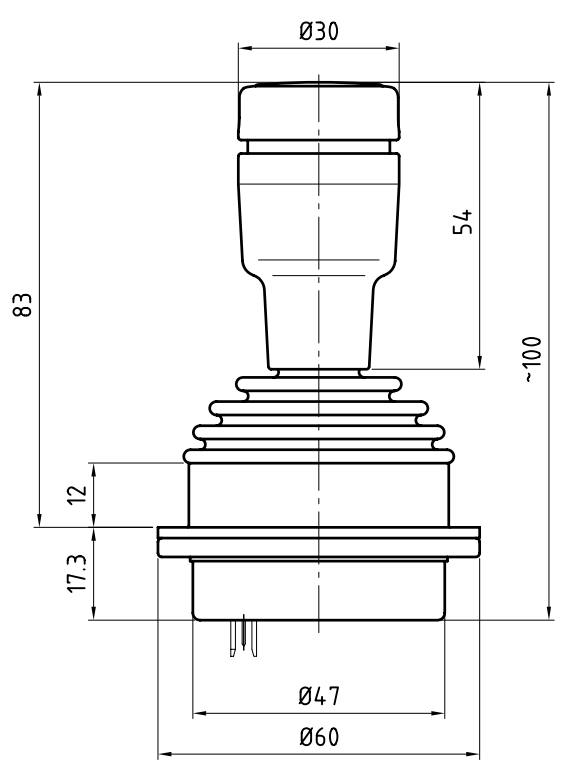


Description	
Joystick Type SK 60-0899	
Number of axes	1-axis, y-axis
Operation by	Goblet top, handle with pushbutton
Cross guidance	none
Switch function	none
Retaining spring	normal, Z-Nr. 60-112
Connector: DUBOX Walled Header	8-poles: 76384-308
Mating connector: Dubox Housing Anti-rotation locking	8-poles: 65240-008

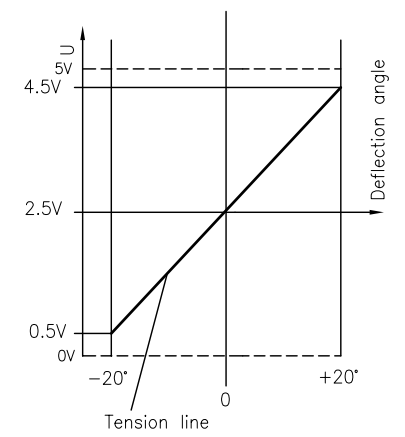
Electrical characteristics	
Operating voltage	5 V DC
Sensor	Hall Effect technology
Pushbutton switch	MORS-APEM 13435AD2K

Pin	
11	Supply voltage
12	Ground
13	y (-y=0.5V, middle=2.5V, +y=4.5V)

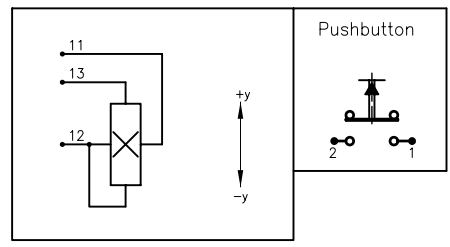
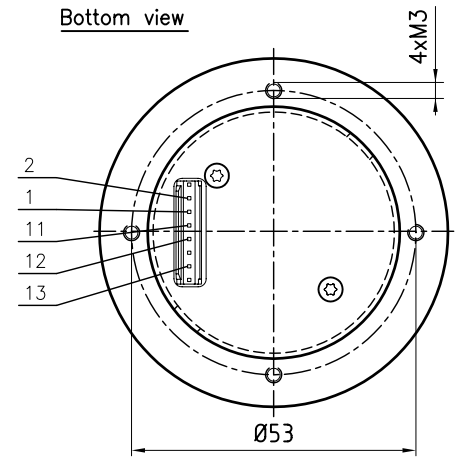
Pushbutton switch in handle			
Switch	Contact	2	
	open	1	



Output diagram



Bottom view



		Oberfläche	Maßstab 1:1	Position	Menge
		Datum	Name	Joystick	
		Bearb. 26.11.12	Kiener M.		
		Gepr.			
		Norm			
		<b>GENGE &amp; THOMA AG</b> <small>OT-2543 Lengnau/Biel</small>		60-0899 <span style="float: right;">Blatt</span>	
Zust.	Änderungen	Datum	Name	Dateiname: E:\DWG\LSK_60\LSK60-0899.dwg	Bl