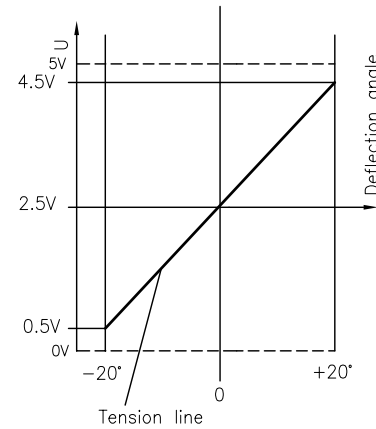
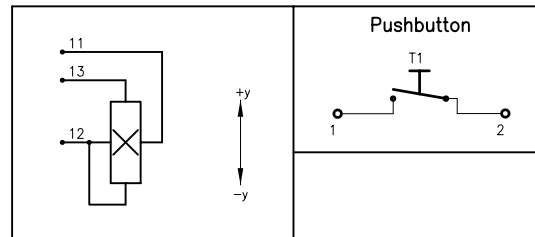
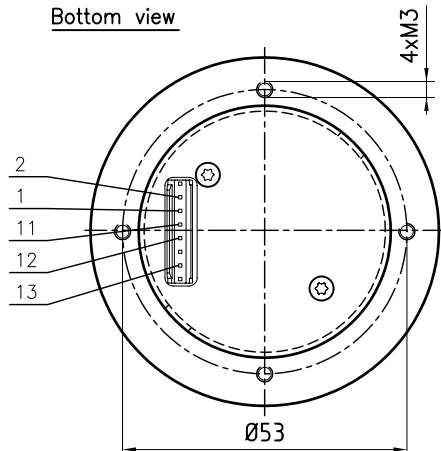


Output diagram



Bottom view



Description	
Joystick Type SK 60-0900	
Number of axes	1-axis, y-axis
Operation by	Sleek top, handle with pushbutton
Cross guidance	none
Switch function	none
Retaining spring	normal, Z-Nr. 60-112
Connector:	8-poles: 76384-308
DUBOX Walled Header	
Mating connector:	8-poles: 65240-008
Dubox Housing	
Anti-rotation locking	

Electrical characteristics	
Operating voltage	5 V DC
Sensor	Hall Effect technology
Pushbutton	EAO 24 V DC, 100mA

Pin	
11	Supply voltage
12	Ground
13	y (-y=0.5V, middle=2.5V, +y=4.5V)

Pushbutton in handle			
Switch	Contact	2	
	open	1	

		Oberfläche	Maßstab 1:1	Position	Menge
		Datum	Name	Joystick	
		Bearb. 26.11.12	Kiener M.		
		Gepr.			
		Norm			
		GENGE & THOMA AG <small>OT-2543 Lengnau/Biel</small>		60-0900 Blatt	
Zust.	Änderungen	Datum	Name	Dateiname: E:\DWG\LSK_60\LSK60-0900.dwg	Bl