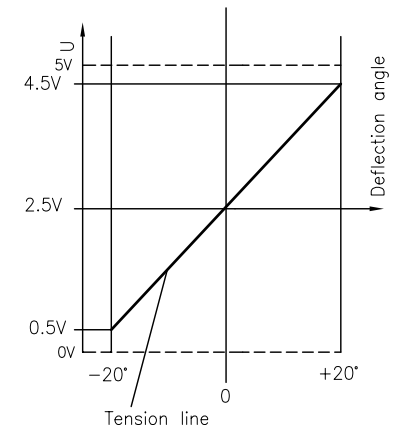
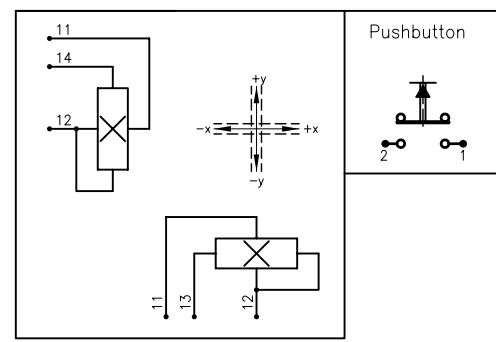
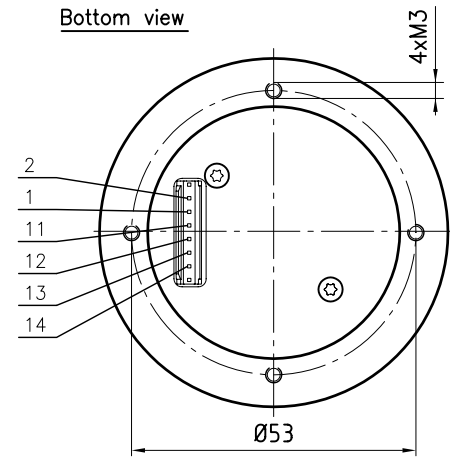


Output diagram



Bottom view



Description	
Joystick Type SK 60-0903	
Number of axes	2-axes, x-axis, y-axis
Operation by	Goblet top, handle with pushbutton
Cross guidance	soft
Switch function	none
Retaining spring	normal, Z-Nr. 60-112
Connector:	8-poles: 76384-308
DUBOX Walled Header	
Mating connector:	8-poles: 65240-008
Dubox Housing	
Anti-rotation locking	

Electrical characteristics	
Operating voltage	5 V DC
Sensor	Hall Effect technology
Pushbutton switch	MORS-APEM 13435AD2K

Pin	
11	Supply voltage
12	Ground
13	x (-x=0.5V, middle=2.5V, +x=4.5V)
14	y (-y=0.5V, middle=2.5V, +y=4.5V)

Pushbutton switch in handle			
Switch	Contact	2	
	open	1	

		Oberfläche	Maßstab 1:1	Position	Menge
		Datum	Name	Joystick	
		Bearb. 11.12.12	Kiener M.		
		Gepr.			
		Norm			
		GENGE & THOMA AG <small>01-2543 Lengnau/Bliz</small>		60-0903	
Zust.	Änderungen	Datum	Name	Dateiname: E:\DWG\LSK_60\LSK60-0903.dwg	Blatt
					Bl