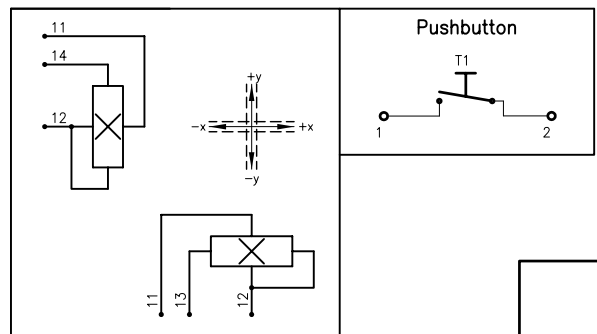
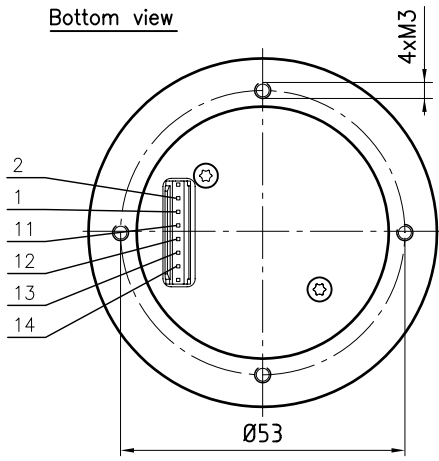
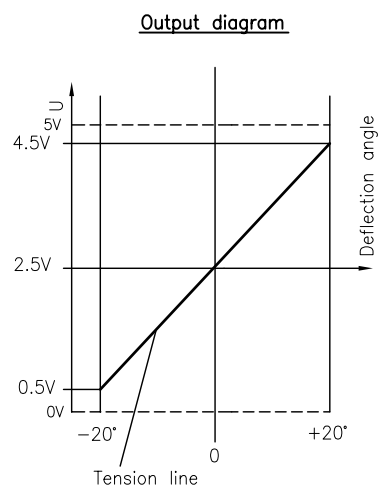
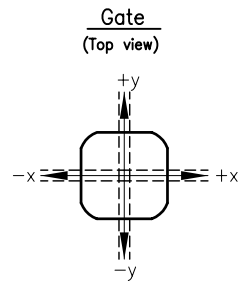
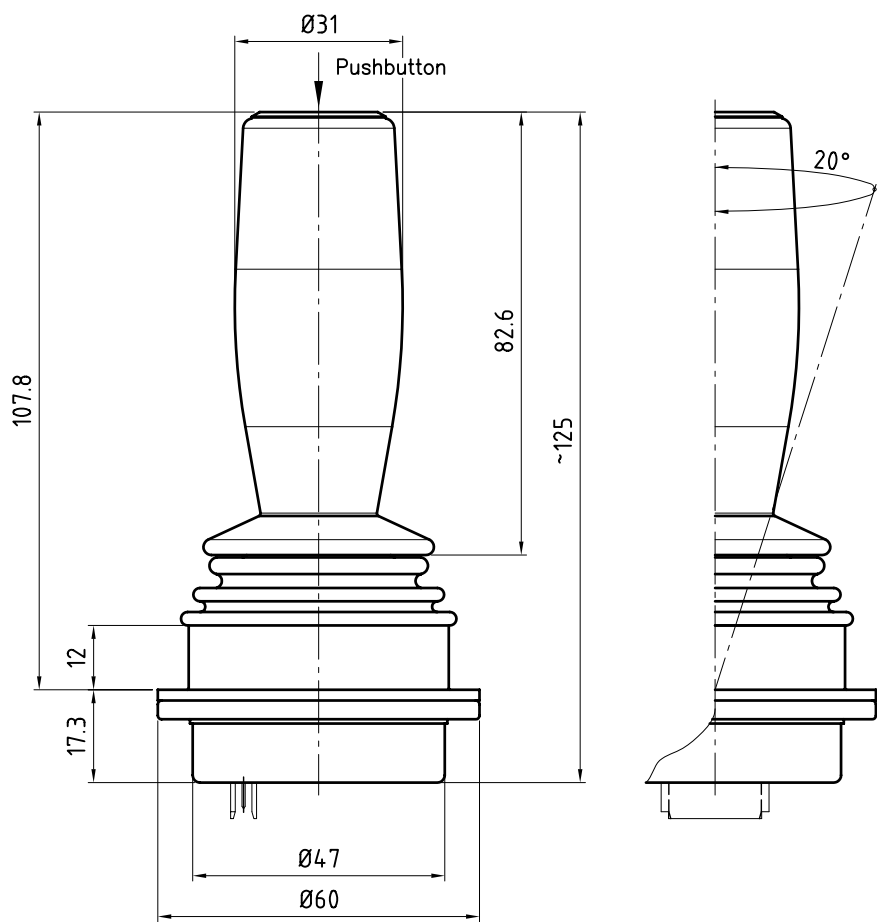


Description	
Joystick Type SK 60-0904	
Number of axes	2-axes, x-axis, y-axis
Operation by	Sleek top, handle with pushbutton
Cross guidance	soft
Switch function	none
Retaining spring	normal, Z-Nr. 60-112
Connector:	8-poles: 76384-308
DUBOX Walled Header	
Mating connector:	8-poles: 65240-008
Dubox Housing	
Anti-rotation locking	

Electrical characteristics	
Operating voltage	5 V DC
Sensor	Hall Effect technology
Pushbutton	EAO 24 V DC, 100mA

Pin	
11	Supply voltage
12	Ground
13	x (-x=0.5V, middle=2.5V, +x=4.5V)
14	y (-y=0.5V, middle=2.5V, +y=4.5V)

Pushbutton in handle			
Switch	Contact	2	
	open	1	



Datum		Name		Oberfläche		Maßstab 1:1		Position Menge	
Bearb.	11.12.12	Kiener M.							
Gepr.									
Norm									
				GENCE & THOMA AG					
				01-2543 Lengnau/Blot					
				Dateiname: E:\DWG\LSK_60\LSK60-0904.dwg					
Zust. Änderungen		Datum Name							

Joystick
60-0904

Blatt
Bl