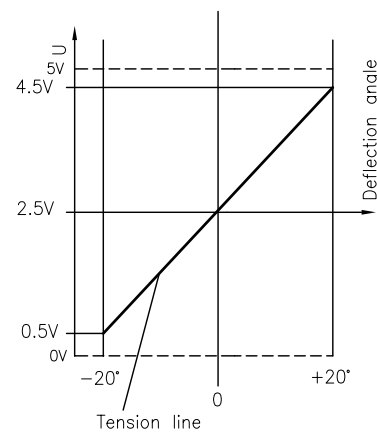


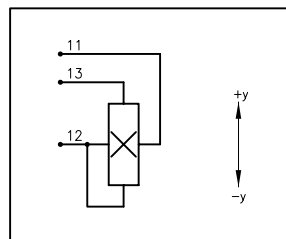
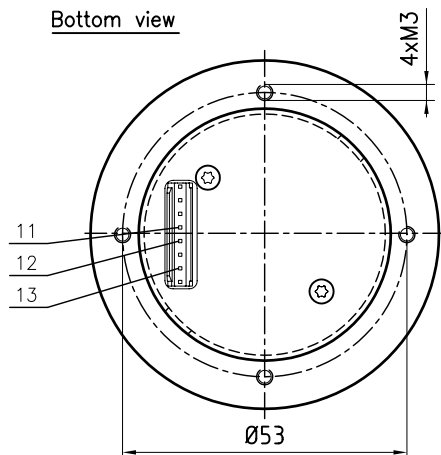
Gate
(Top view)



Output diagram



Bottom view



Description	
Joystick Type SK 60-0906	
Number of axes	1-axis, y-axis
Operation by	Sleek handle Put and stay (friction brake)
Cross guidance	none
Switch function	none
Retaining spring	none
Connector:	8-poles: 76384-308
DUBOX Walled Header	
Mating connector:	8-poles: 65240-008
Dubox Housing	
Anti-rotation locking	
Electrical characteristics	
Operating voltage	5 V DC
Sensor	Hall effect technology
Pin	
11	Supply voltage
12	Ground
13	y (-y=0.5V, middle=2.5V, +y=4.5V)

		Oberfläche	Maßstab 1:1	Position	Menge
		Datum	Name	Joystick	
		Bearb. 14.01.13	Kiener M.		
		Gepr.			
		Norm			
		GENGE & THOMA AG <small>01-2543 Lengnau/Bliz</small>			Blatt
		Dateiname: E:\DWG\LSK_60\LSK60-0906.dwg			Bl
Zust.	Änderungen	Datum	Name		