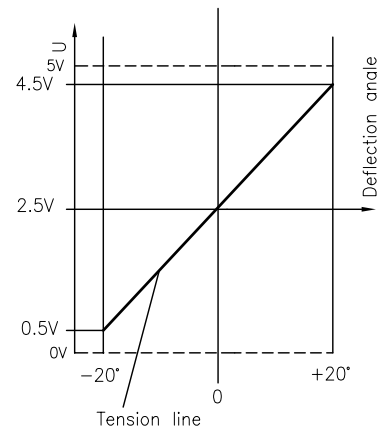
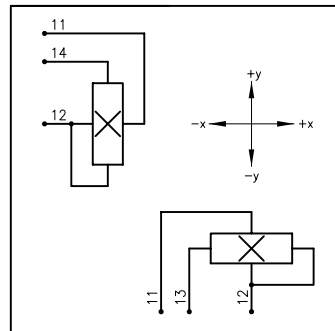
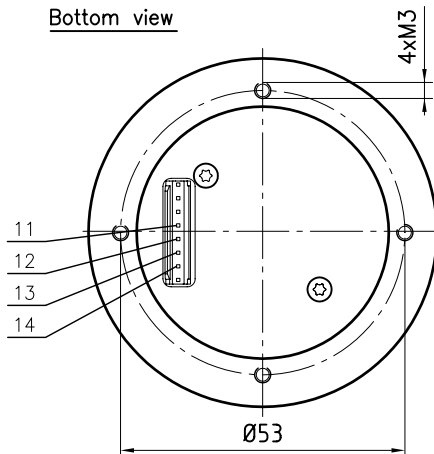


Output diagram



Bottom view



Description	
Joystick Type SK 60-0909	
Number of axes	2-axes, x-axis, y-axis
Operation by	Sleek handle Put and Stay (friction brake)
Cross guidance	none
Switch function	none
Retaining spring	none
Connector:	8-poles: 76384-308
DUBOX Walled Header	
Mating connector:	8-poles: 65240-008
Dubox Housing	
Anti-rotation locking	

Electrical characteristics

Operating voltage	5 V DC
Sensor	Hall effect technology

Pin

11	Supply voltage
12	Ground
13	x (-x=0.5V, middle=2.5V, +x=4.5V)
14	y (-y=0.5V, middle=2.5V, +y=4.5V)

		Oberfläche	Maßstab 1:1	Position	Menge
		Datum	Name	Joystick	
		Bearb. 14.01.13	Kiener M.		
		Gepr.			
		Norm			
		<b>GENGE &amp; THOMA AG</b> <small>OT-2543 Lengnau/Blot</small>		60-0909	
Zust.	Änderungen	Datum	Name	Dateiname: E:\Dwg\LSK_60\LSK60-0909.dwg	Blatt
					Bl