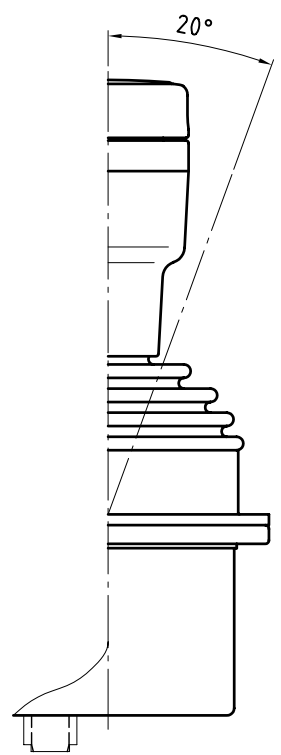
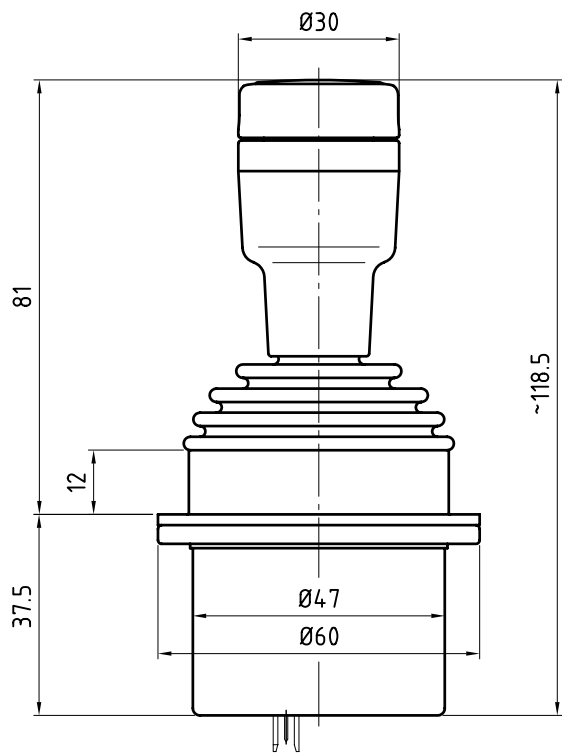


Description

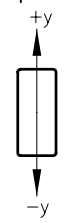
Joystick type SK 60-0910	
Number of axes	1-axis, y-axis
Operation by	Goblet handle
Connector: DUBOX Walled Header	4-poles: 76384-304
Mating connector: Dubox Housing Anti-rotation locking	4-poles: 65240-04
Cross guidance	none
Center tab	±1.75°
Switch point α	-
Retaining spring	normal Z-Nr. 60-112

Electrical characteristics	
Resistance value	5 kOhm ± 20%
Power dissipation	0.2 Watt at 40°C per axis
Operating voltage	max. 30V DC

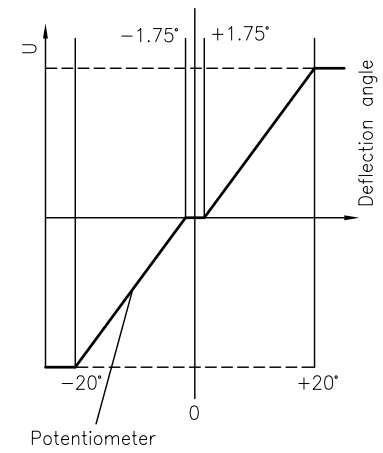
Axes	Potentiometer		Connector side	
	Direction	Colour/ number	Center tab	Joystick in mid-position
x-axis	↑ +x			
	Wiper			
	↓ -x			
y-axis	↑ +y	11 yellow		
	Wiper	12 orange	14 brown	
	↓ -y	13 red		



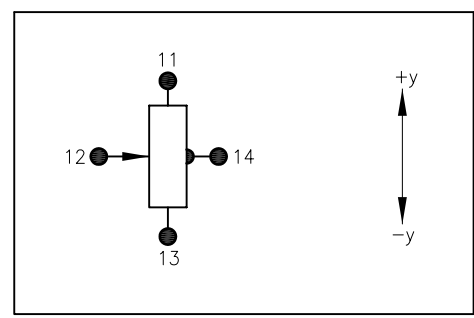
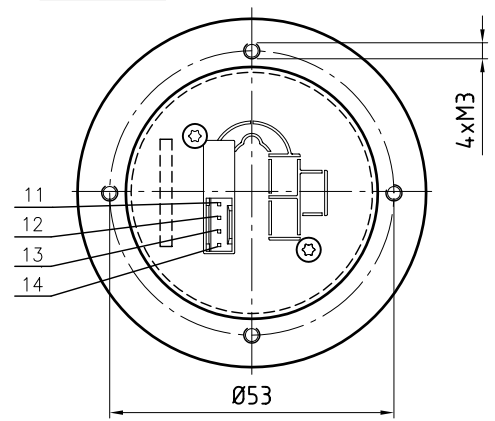
Gate
(Top view)



Output diagram



Bottom view



		Oberfläche	Maßstab 1:1	Position	Menge
		Datum	Name	Joystick	
		Bearb. 14.01.13	Kiener M.		
		Gepr.			
		Norm			
		GENGE & THOMA AG <small>01-2543 Lengnau/Bludenz</small>			Blatt
		Dateiname: E:\DWG\SK 60\1\SK60-0910.dwg			Bl
Zust.	Änderungen	Datum	Name		