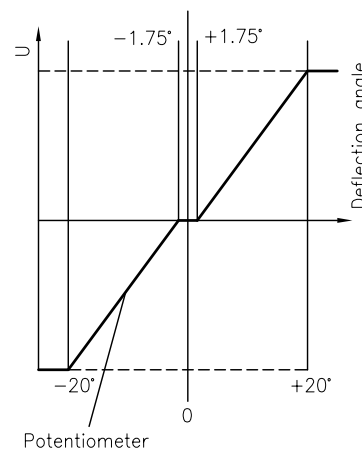


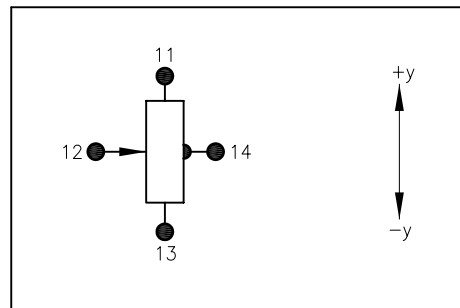
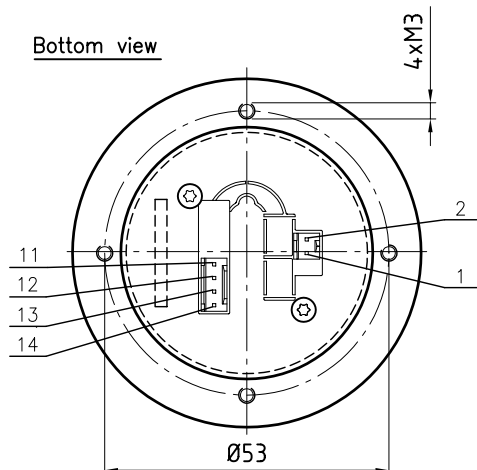
Gate  
(Top view)



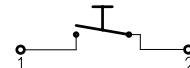
Output diagram



Bottom view



Pushbutton



**Description**

Joystick type SK 60-0911	
Number of axes	1-axis, y-axis
Operation by	Sleek top, handle with pushbutton
Connector:	4-poles: 76384-304
DUBOX Walled Header	2-poles: 76384-302
Mating connector:	4-poles: 65240-04
Dubox Housing	2-poles: 65240-02
Anti-rotation locking	
Cross guidance	none
Center tab	±1.75°
Switch point α	-
Retaining spring	normal Z-Nr. 60-112

**Electrical characteristics**

Resistance value	5 kOhm ± 20%
Power dissipation	0.2 Watt at 40°C per axis
Operating voltage	max. 30V DC
Pushbutton	EAO 24 V DC, 100mA

Axes	Potentiometer		Connector side	
	Direction	Colour/number	Center tab	Joystick in mid-position
x-axis	↑ +x			
	Wiper			
	↓ -x			
y-axis	↑ +y	11 yellow		
	Wiper	12 orange	14 brown	
	↓ -y	13 red		

**Pushbutton in handle**

Switch	Contact	2	
	open	1	

		Oberfläche	Maßstab 1:1	Position	Menge
		Datum	Name		
		Bearb. 14.01.13	Kiener M.		
		Gepr.			
		Norm			
		<b>GENGE &amp; THOMA AG</b>		Blatt	
		AG 01-2543 Lengnau/Blot		Bl	
		Dateiname: E:\DW\q\SK 60_V\SK60-0911.dwg		60-0911	
Zust.	Änderungen	Datum	Name		