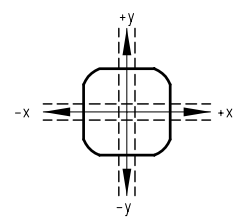
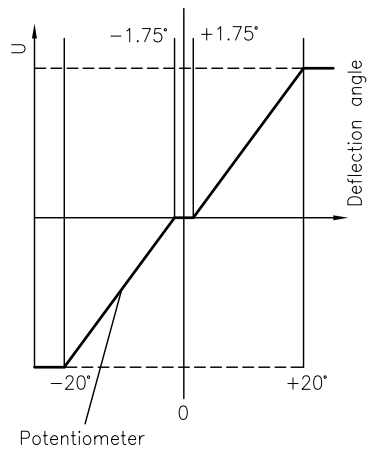


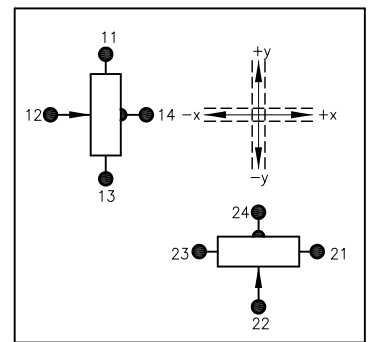
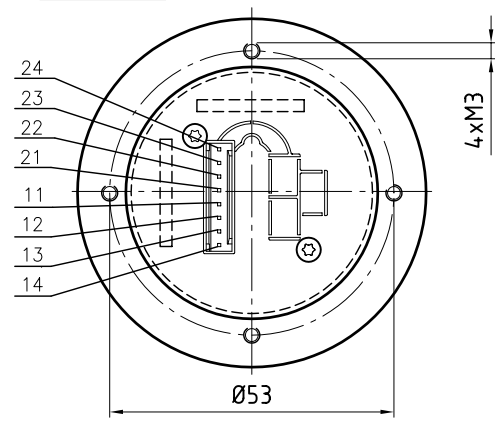
Gate
(Top view)



Output diagram



Bottom view



Description				
Joystick type SK 60-0912				
Number of axes	2-axes, x-axis, y-axis			
Operation by	Goblet handle			
Connector: DUBOX Walled Header	8-poles: 76384-308			
Mating connector: Dubox Housing Anti-rotation locking	8-poles: 65240-08			
Cross guidance	soft			
Center tab	±1.75°			
Switch point α	-			
Retaining spring	normal Z-Nr. 60-112			
Electrical characteristics				
Resistance value	5 kOhm ± 20%			
Power dissipation	0.2 Watt at 40°C per axis			
Operating voltage	max. 30V DC			
Axes	Potentiometer	Connector side		
	Direction	Colour/ number	Center tab	Joystick in mid-position
x-axis	↑ +x	21 green	24 grey	
	Wiper	22 blue		
	↓ -x	23 violet		
y-axis	↑ +y	11 yellow	14 brown	
	Wiper	12 orange		
	↓ -y	13 red		

		Oberfläche	Maßstab 1:1	Position	Menge
		Datum	Name	Joystick	
		Bearb. 14.01.13	Kiener M.		
		Gepr.			
		Norm			
		GENGE & THOMA AG <small>OH-2543 Lengnau/Bludenz</small>		60-0912	
Zust.	Änderungen	Datum	Name	Dateiname: E:\DWG\SK 60\1\SK60-0912.dwg	Blatt
					Bl