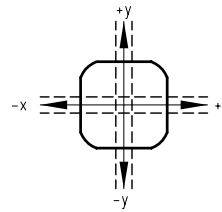
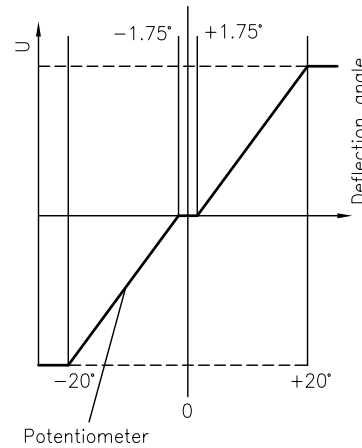


Gate
(Top view)



Output diagram



Description

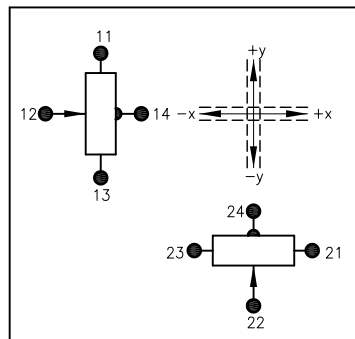
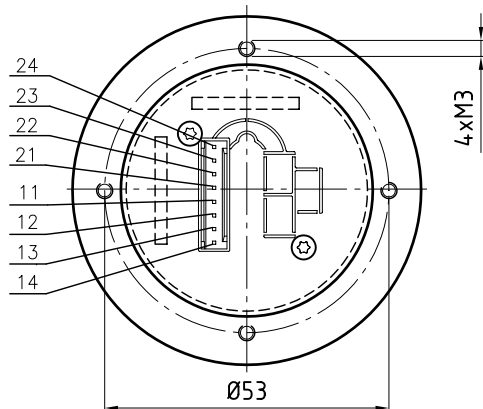
Joystick type SK 60-0913	
Number of axes	2-axes, x-axis, y-axis
Operation by	Sleek handle
Connector: DUBOX Walled Header	8-poles: 76384-308
Mating connector: Dubox Housing Anti-rotation locking	8-poles: 65240-08
Cross guidance	soft
Center tab	±1.75°
Switch point α	-
Retaining spring	normal Z-Nr. 60-112

Electrical characteristics

Resistance value	5 kOhm ± 20%
Power dissipation	0.2 Watt at 40°C per axis
Operating voltage	max. 30V DC

Axes	Potentiometer		Connector side	
	Direction	Colour/ number	Center tab	Joystick in mid-position
x-axis	↑ +x	21 green	24 grey	
	Wiper	22 blue		
	↓ -x	23 violet		
y-axis	↑ +y	11 yellow	14 brown	
	Wiper	12 orange		
	↓ -y	13 red		

Bottom view



		Oberfläche	Maßstab 1:1	Position	Menge
		Datum	Joystick		
		Name			
		Bearb. 15.01.13	Kiener M.		
		Gepr.			
		Norm			
		GENGE & THOMA AG <small>01-2543 Lengnau/Biel</small>			Blatt
		60-0913			Bl
Zust.	Änderungen	Datum	Name	Dateiname: E:\Dwg\SK 60\1\SK60-0913.dwg	