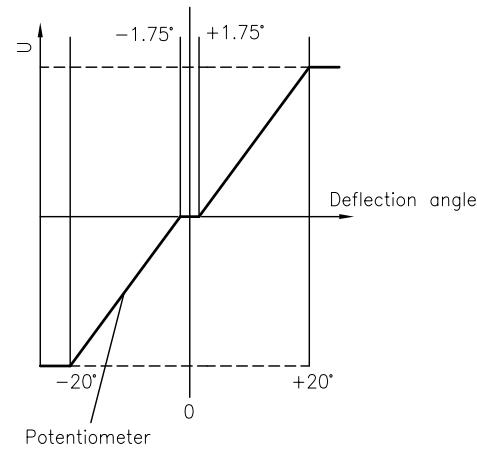


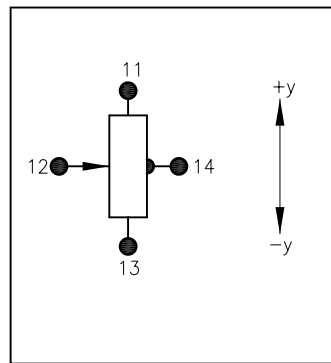
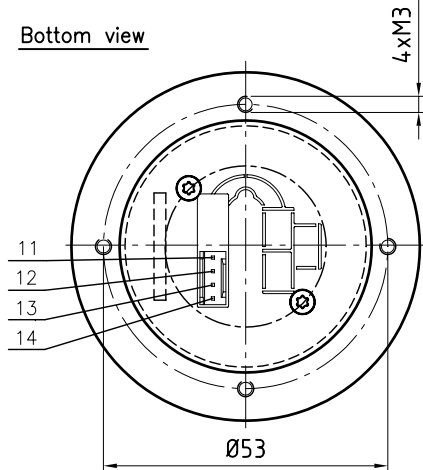
Gate (top view)



Output diagram



Bottom view



Description			
Joystick type SK 60-0915			
Number of axes	1-axis, y-axis		
Operation by	Sleek handle, Put and Stay (Friction brake)		
<u>Connector:</u> DUBOX Walled Header	4-poles: 76384-304		
<u>Mating connector:</u> Dubox Housing <u>Anti-rotation locking</u>	4-poles: 65240-004		
Center tab	±1.75°		
Electrical characteristics			
Resistance value	5 kOhm ± 20%		
Power dissipation	0.2 Watt at 40°C		
Operating voltage	max. 30V DC		
Axes	Potentiometer	Connector side	
Direction	Colour/number	Center tab	Joystick in mid-position
x-axis	↑ +x	14 brown	
	Wiper		
	↓ -x		
y-axis	↑ +y	11 yellow	
	Wiper	12 orange	
	↓ -y	13 red	

		Oberfläche	Maßstab 1:1	Position	Menge
		Datum	Name	Joystick	
		Bearb. 03.12.12	Kiener M.		
		Gepr.			
		Norm			
		GENGE & THOMA AG <small>01-2543 Lengnau/Bläsi</small>		60-0915	
		Dateiname: E:\Dwg\0Dwg_SK60\60-0915.dwg		Blatt	
				Bl	
Zust.	Änderungen	Datum	Name		