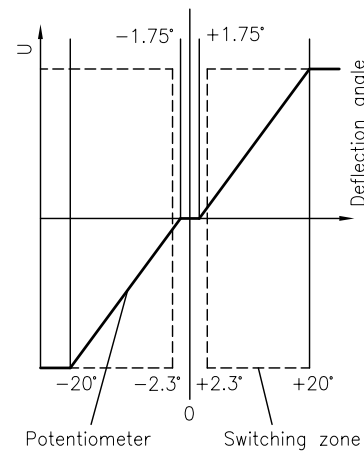


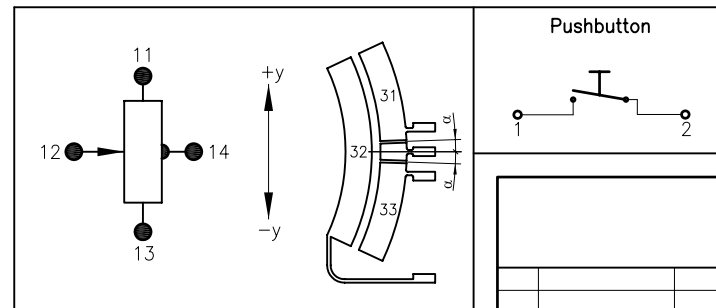
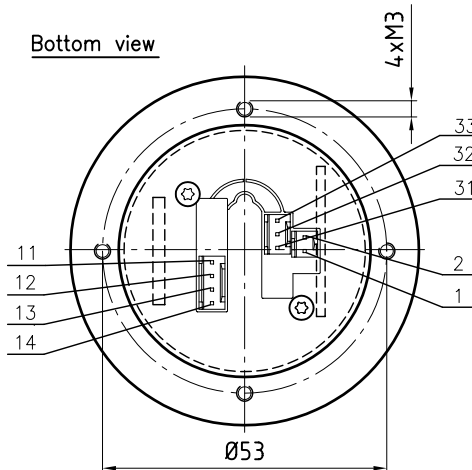
Gate
(Top view)



Output diagram



Bottom view



Description

Joystick type SK 60-0919	
Number of axes	1-axis, y-axis
Operation by	Sleek top, handle with pushbutton
Connector:	4-poles: 76384-304
DUBOX Walled Header	3-poles: 76384-303
	2-poles: 76384-302
Mating connector:	4-poles: 65240-04
Dubox Housing	3-poles: 65240-03
Anti-rotation locking	2-poles: 65240-02
Cross guidance	none
Retaining spring	normal Z-Nr. 60-112
Center tab	$\pm 1.75'$
Switch point α	$\pm 2.3'$
Switch function	2 shift segments

Electrical characteristics

Resistance value	5 kOhm $\pm 20\%$
Power dissipation	0.2 Watt at 40°C per axis
Operating voltage	max. 30V DC
Contact rating	Zero potential difference between segments
	5 V DC, 5 mA
Pushbutton	EAO 24 V DC, 100mA

Axes		Potentiometer		Connector side	
Direction		Colour/number	Center tab	Joystick in mid-position	
x-axis	$\uparrow +x$				
	Wiper				
	$\downarrow -x$				
y-axis	$\uparrow +y$	11 yellow		31 yellow	open
	Wiper	12 orange	14 brown	32 green	
	$\downarrow -y$	13 red		33 blue	open

Pushbutton in handle

Switch	Contact	2	
	open	1	

		Oberfläche	Maßstab 1:1	Position	Menge
		Datum	Name	Joystick	
		Bearb. 15.01.13	Kiener M.		
		Gepr.			
		Norm			
		GENGE & THOMA AG <small>OT-2543 Lengnau/Bliz</small>		60-0919	
Zust.	Änderungen	Datum	Name	Dateiname: E:\Dwg\LSK_60_VSK60-0919.dwg	Blatt
					Bl