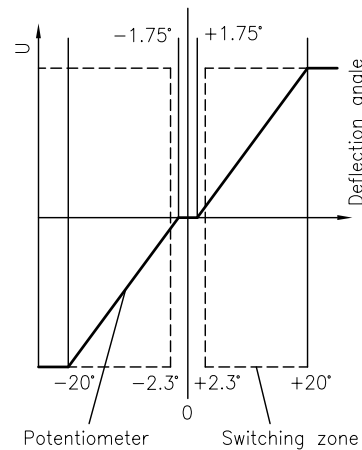


Output diagram



Description

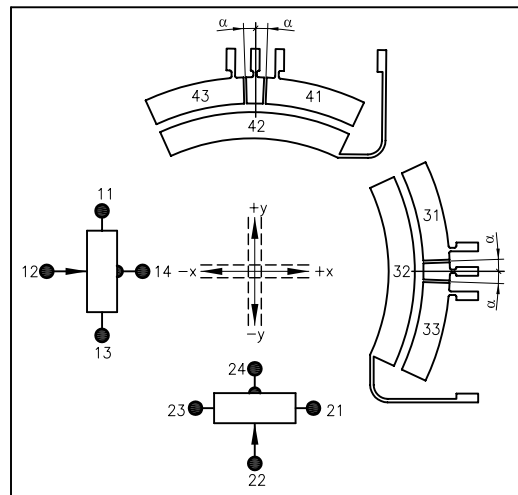
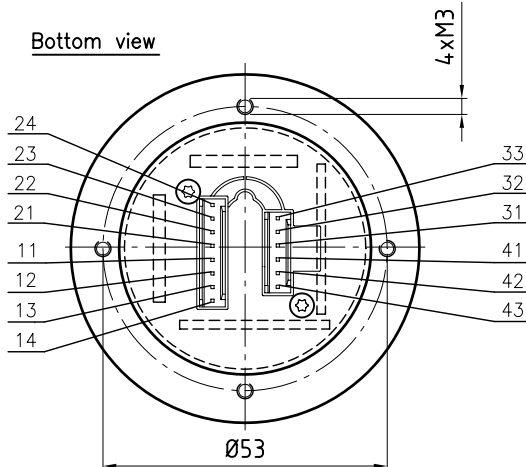
| | |
|--------------------------|---------------------------|
| Joystick type SK 60-0920 | |
| Number of axes | 2-axes, x-axis, y-axis |
| Operation by | Sleek handle |
| Connector: | 8-poles: 76384-308 |
| DUBOX Walled Header | 6-poles: 76384-306 |
| Mating connector: | 8-poles: 65240-08 |
| Dubox Housing | 6-poles: 65240-06 |
| Anti-rotation locking | |
| Cross guidance | soft |
| Retaining spring | normal Z-Nr. 60-112 |
| Center tab | $\pm 1.75'$ |
| Switch point α | $\pm 2.3'$ |
| Switch function | 2 shift segments per axis |

Electrical characteristics

| | |
|-------------------|--|
| Resistance value | 5 kOhm $\pm 20\%$ |
| Power dissipation | 0.2 Watt at 40°C per axis |
| Operating voltage | max. 30V DC |
| Contact rating | Zero potential difference between segments |
| | 5 V DC, 5 mA |

| Axes | Potentiometer | | Connector side | |
|--------|-----------------|---------------|----------------|--------------------------|
| | Direction | Colour/number | Center tab | Joystick in mid-position |
| x-axis | $\uparrow +x$ | 21 green | 24 grey | 41 orange |
| | Wiper | 22 blue | | 42 red |
| | $\downarrow -x$ | 23 violet | | 43 brown |
| y-axis | $\uparrow +y$ | 11 yellow | 14 brown | 31 yellow |
| | Wiper | 12 orange | | 32 green |
| | $\downarrow -y$ | 13 red | | 33 blue |

Bottom view



| | | | | |
|-----------------------|------------|-------------|----------|---|
| Oberfläche | | Maßstab 1:1 | Position | Menge |
| Datum | | Name | | |
| Bearb. 15.01.13 | | Kiener M. | | |
| Gepr. | | | | |
| Norm | | | | |
| GENTE & THOMA AG | | 60-0920 | | Blatt |
| AG 01-2543 Lengnau/Bl | | | | Bl |
| Zust. | Änderungen | Datum | Name | Dateiname: E:\Dwg\LSK_60\LSK60-0920.dwg |