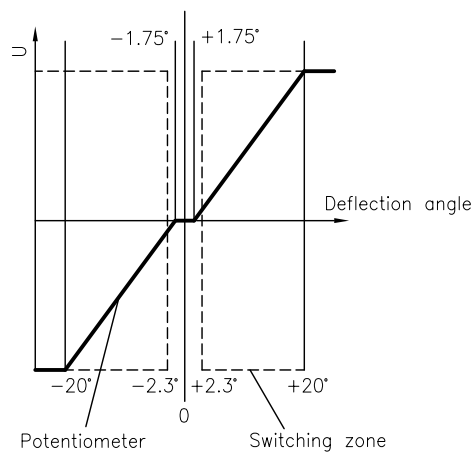
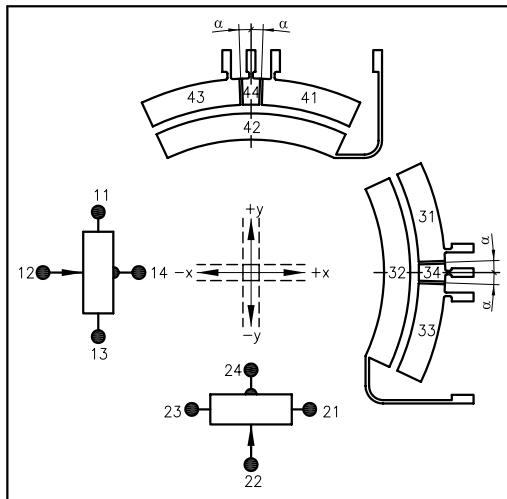
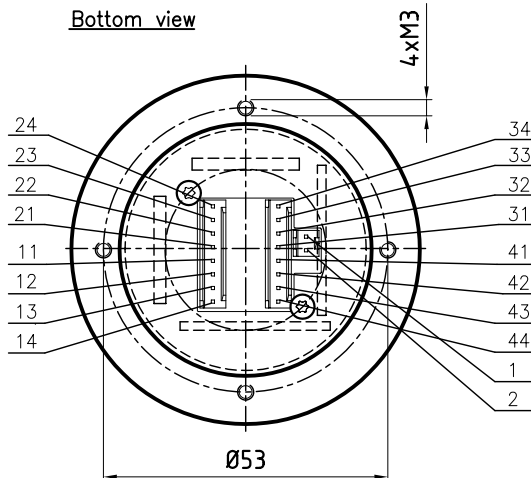


Output diagram

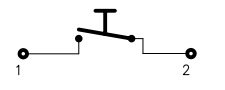


Description					
Joystick type SK 60-0921					
Number of axes	2-axes, x-axis, y-axis				
Operation by	Sleek top, handle with pushbutton				
<u>Connector:</u> DUBOX Walled Header	2x 8-poles: 76384-308 1x 2-poles: 76384-302				
<u>Mating connector:</u> Dubox Housing	2x 8-poles: 65240-008				
<u>Anti-rotation locking</u>	1x 2-poles: 65240-002				
Cross guidance	soft				
Center tab	±1.75°				
Retaining spring	normal Z-Nr. 60-112				
Switch function	2 shift segments per axis				
Switch point α	±2.3°				
Electrical characteristics					
Resistance value	5 kOhm ± 20%				
Power dissipation	0.2 Watt at 40°C per axis				
Contact rating	Zero potential difference between segments 5 V DC, 5 mA				
Operating voltage	max. 30V DC				
Pushbutton	EAO 24 V DC, 100mA				
Axes	Potentiometer	Connector side			
Direction	Colour/number	Center tab	Joystick in mid-position		
x-axis	↑ +x	21 green	41 yellow	open	
	Wiper	22 blue	24 grey	42 orange	44 brown
	↓ -x	23 violet	43 red	open	
y-axis	↑ +y	11 yellow	31 green	open	
	Wiper	12 orange	14 brown	32 blue	34 grey
	↓ -y	13 red	33 violet	open	
Pushbutton in handle					
Switch	Contact	2			
	open	1			

Bottom view



Pushbutton



		Oberfläche	Maßstab 1:1	Position	Menge
		Datum	Name	Joystick	
		Bearb. 10.01.13	Kiener M.		
		Gepr.			
		Norm			
		GENGE & THOMA AG		Blatt	
		AG 01-2543 Lengnau/Bl		Bl	
Zust.	Änderungen	Datum	Name	Dateiname	

60-0921