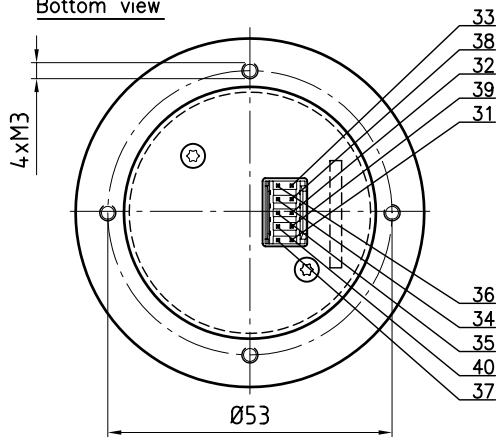


Bottom view



Description	
Joystick type SK 60-0925	
Number of axes	1-axis, y-axis
Operation by	Sleek handle
Connector: DUBOX Walled Header	10-poles: 76385-305
Mating connector: Dubox Housing Anti-rotation locking	10-poles: 65239-005
Cross guidance	none
Detents	4-1-4
Switch function	9 shift segments
Retaining spring	normal Z-Nr. 60-112

Electrical characteristics	
Contact rating	Zero potential difference between segments 5 V DC, 5 mA

Axes	Potentiometer		Connector side	
	Direction	Colour/ number	Center tab	Joystick in mid-position
x-axis	+x ↑ Wiper			
	-x ↓			
y-axis	+y ↑ Wiper		39	open
			38	"
			37	"
			36	"
			40	35 closed
			34	open
	-y ↓		33	"
			32	"
			31	"

		Oberfläche	Maßstab 1:1	Position	Menge	
		Datum	Name	Joystick		
		Bearb. 17.01.13	Kiener M.			
		Gepr.				
		Norm				
		GENGE & THOMA AG <small>OT-2543 Lengnau/Bliz</small>			Blatt	
		Dateiname: E:\DWG\SK_60\LSK60-0925.dwg			Bl	
Zust.	Änderungen	Datum	Name			