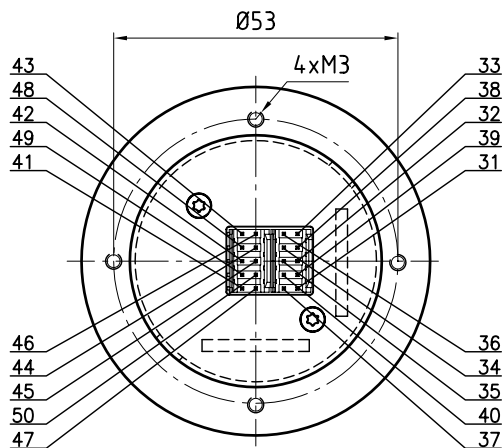


Bottom view



Description

Joystick type SK 60-0929	
Number of axes	2-axes, x-axis, y-axis
Operation by	Sleek handle
Connector: DUBOX Walled Header	2x10-poles: 76385-305
Mating connector: Dubox Housing Anti-rotation locking	2x10-poles: 65239-005
Cross guidance	soft
Detents	4-1-4
Switch function	9 shift segments per axis
Retaining spring	normal Z-Nr. 60-112

Electrical characteristics

Contact rating	Zero potential difference between segments 5 V DC, 5 mA
----------------	--

Axes		Potentiometer		Connector side	
Direction	Colour/number	Center tab	Joystick in mid-position		
x-axis	+x ↑ Wiper		49	45	open
			48		"
			47		"
			46		closed
			50		open
-x	↓ Wiper		44	35	open
			43		"
			42		"
			41		"
			39		open
y-axis	+y ↑ Wiper		38	35	open
			37		"
			36		"
			40		closed
			34		open
-y	↓ Wiper		33	31	"
			32		"
			31		"

		Oberfläche	Maßstab 1:1	Position	Menge
		Datum	Name	Joystick	
		Bearb. 21.01.13	Kiener M.		
		Gepr.			
		Norm			
		GENGE & THOMA AG <small>CH-2543 Lengnau/Biel</small>			Blatt
		60-0929			Bl
Zust.	Änderungen	Datum	Name	Dateiname: E:\DWG\SK_60\... \SK60-0929.dwg	