

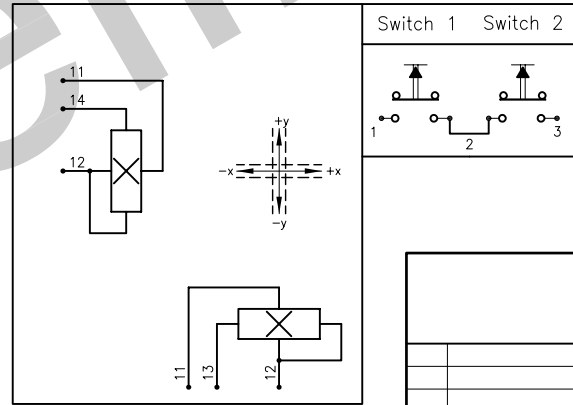
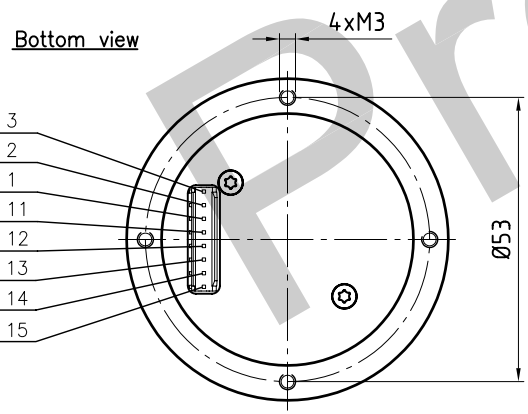
Description	
Joystick Type SK 60-0993	
Number of axes	2-axes, x-axis, y-axis
Operation by	Handle with 2-switch
Cross guidance	soft
Switch function	none
Retaining spring	strong, Z-Nr. 50-116
Connector:	8-poles: 76384-308
DUBOX Walled Header	
Mating connector:	8-poles: 65240-008
Dubox Housing	
Anti-rotation locking	

Electrical characteristics	
Operating voltage	5 V DC
Sensor	Hall effect technology

Pin	
11	Supply voltage 5V DC
12	Ground
13	x (-x=0.5V, middle=2.5V, +x=4.5V)
14	y (-y=0.5V, middle=2.5V, +y=4.5V)
15	Do not use

Switch 1 in handle			
Switch	Contact	1	
	open	2	

Switch 2 in handle			
Switch	Contact	3	
	open	2	



		Oberfläche	Maßstab 1:1	Position	Menge
		Datum	Name	Joystick	
		Bearb. 13.05.13	Kiener M.		
		Gepr.			
		Norm			
		GENGE & THOMA AG <small>CH-2543 Lengnau/Biel</small>		60-0993	
Zust.	Änderungen	Datum	Name	Dateiname: E:\DWG\LSK_60\LSK60-0993.dwg	Blatt
					Bl