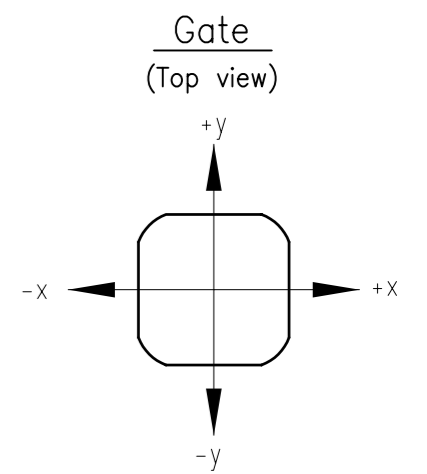
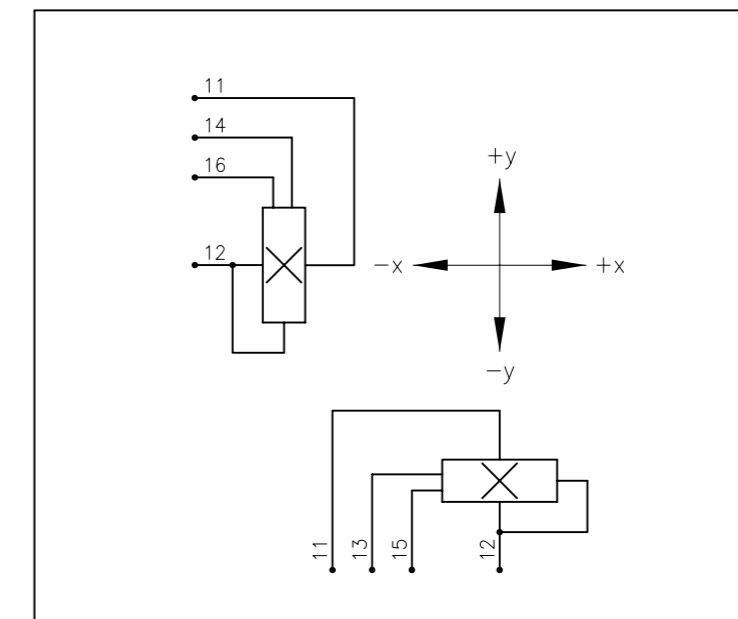


Description	
Joystick Type	SK 80-014
Number of axes	2-axes, x-axis, y-axis proportional both axes are redundant
Plug	Cable gland M10
Retaining spring	regular
Electrical characteristics	
Operating Voltage	48 V DC
Sensor	Hall effect
Pin	
11	Supply voltage 48V
12	Ground (0V)
13	x1 (-x=0.5V, middle=2.5V, +x=4.5V)
14	y1 (-y=0.5V, middle=2.5V, +y=4.5V)
15	x2 (-x=0.5V, middle=2.5V, +x=4.5V)
16	y2 (-y=0.5V, middle=2.5V, +y=4.5V)



		Oberfläche	Maßstab 1:1	Position -	Menge -
		Datum	Name	Joystick	
		Bearb. 23.06.11	Kiener M.		
		Gepr.			
		Norm			
		GENCE & THOMA AG <small>CH-2543 Lengnau/Biel</small>			Blatt -
Zust.	Änderungen	Datum	Name	Dateiname	Bl
		80-014			