



SERIES 2247 – AC SWITCH

WITH RESTART PROTECTION (RSP)



ADVANTAGE

High level of safety

Reliability

Optimized performance

Installation dimensions

Suitable for harsh environments

Wide rating range

Switching reliability

Numerous versions

Normative requirements

EXAMPLES OF APPLICATION

- Power tools
- Industrial applications
- Garden tools
- Household appliances

PRODUCT FEATURES

- Pushbutton switch for indirect actuation with electromechanical restart protection
- Snapping contact system for AC usage
- RSP function: no additional cooling needed
- Compatible with SAG switch series 1247
- High dust protection due to elastic cover sealing
- Up to 7 (7) 250 V AC 5E4 and 10 (10) 127 V AC 5E4
- Single pole contact system for AC 230 V/50 Hz und 127 V/60 Hz
- Various terminal configurations available, with and without suppression capacitor
- Complies with norm EN 60745-2-3, chapter 21.18.1 Performance Level b, according to EN ISO 13849-1

Maximum rating	7 (7) / 250 V AC 10 (10) /127 V AC
Life endurance	
→ Mechanical	> 100.000 cycles
→ Electrical	> 50.000 cycles
Poles	Single-pole
Contacts	Silver
Actuating travel	Approx. 6 mm
Mounting	Insertion
Suppression capacitor	Optional integrated
Transitory-period of restart protection at 100% supply interruption	≤ 10 ms
→ Terminal type line side	Screw terminal M 3,5
→ Terminal type motor side	Plug-on terminal 2,8 x 0,8 mm
→ Suppression capacitor	Plug-on terminal 2,8 x 0,8 mm
Approval marks (ENEC, UL, CSA)	In preparation
Suitable for appliances of protection class II	



SERIES 2247 – AC SWITCH

WITH RESTART PROTECTION (RSP)

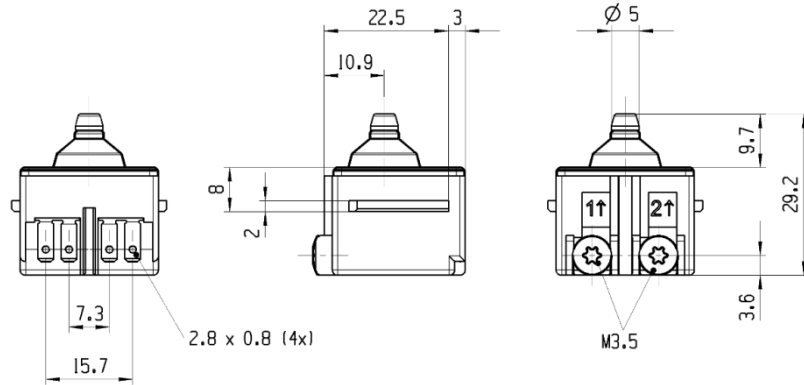
VARIANTS

Basic type	Switching function	Terminal type	Miscellaneous
2247.0301	1-pol. ON/OFF with RSP	Screw-/Plug-on	Without suppression capacitor
2247.0701	1-pol. ON/OFF with RSP	Screw-/Plug-on	With suppression capacitor

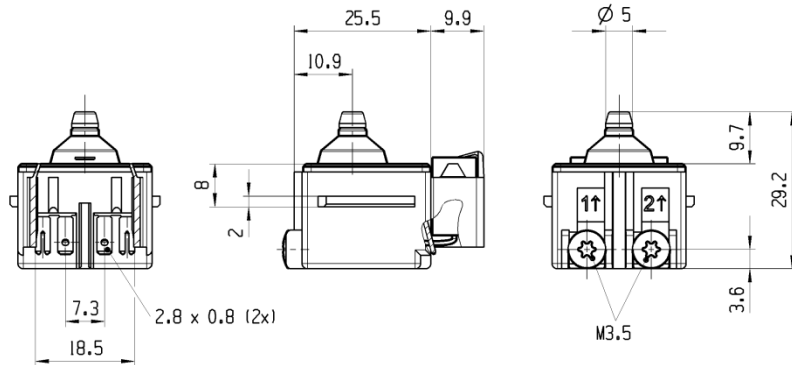
DRAWINGS

(Dimensions in mm)

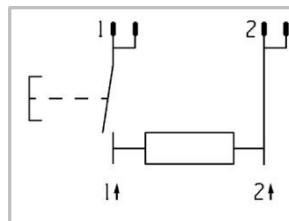
2247.0301



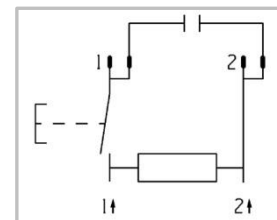
2247.0701



CIRCUIT



2247.0301



2247.0701



MARQUARDT

Marquardt Verwaltungs-GmbH · Ernst Müller-Str. 7 · 8201 Schaffhausen · Switzerland
Phone +41 (52) / 644 30 00 · Fax +41 (52) / 644 30 60 · info@marquardt.ch · www.marquardt.ch