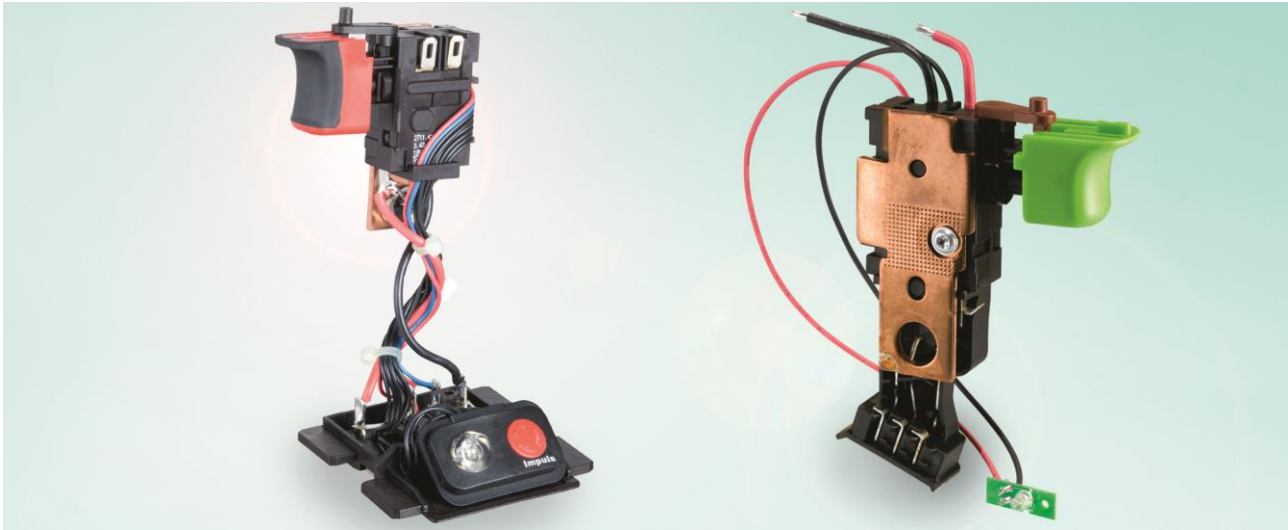




SERIES 2711 – DC SWITCH FOR LITHIUM-ION BATTERIES



ADVANTAGE

Highly integrated DC variable speed switch

High rating

High flexibility

High level of safety and reliability

Numerous versions

PRODUCT FEATURES

→ Integrated battery management for Li-Ion batteries

→ Up to 25 A nominal

→ Same mounting situation as for standard versions

→ Monitoring of undervoltage, overcurrent, battery temperature and MOSFET-temperature

→ Variable auxiliary functions, extendable to meet customer-specific requirements

EXAMPLES OF APPLICATION

- Power tools
- Industrial screwdrivers
- Garden tools
- Household appliances

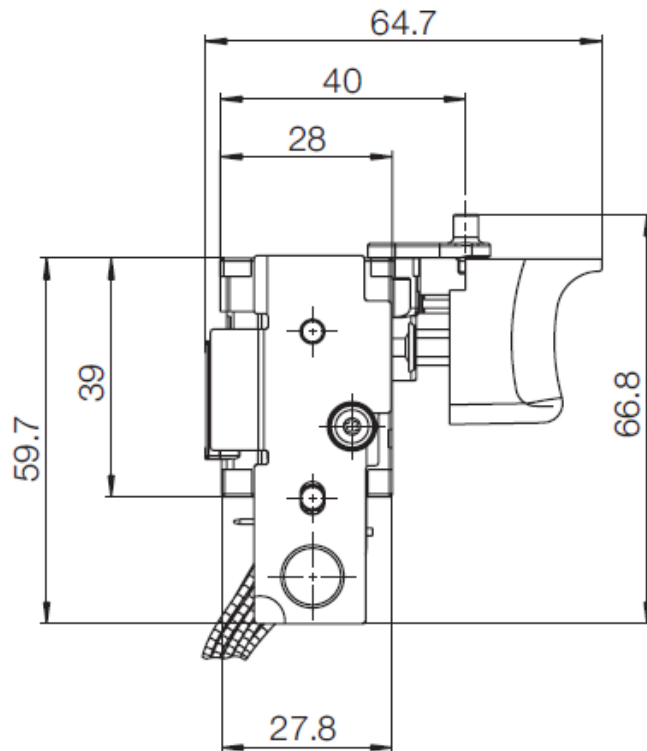
Rating	12 V – 36 V 20 A – 25 A
Life endurance	
→ Mechanical	50,000 cycles
→ Electrical	50,000 cycles
Battery	Lithium-Ion
Undervoltage switch-off	= U (Bat) * 0,66
Overcurrent switch-off	Approx. 50 – 80 A
Battery temperature switch-off	Approx. 80 °C
MOSFET temperature switch-off	Approx. 80 °C
Free-wheeling diodes	I = 6 – 20 A
Actuating travels	
→ Total travel	Approx. 8 mm
→ Switch-on travel	Approx. 2 mm
Terminal type	Solder lugs (battery and motor side)
Approval marks (UL)	



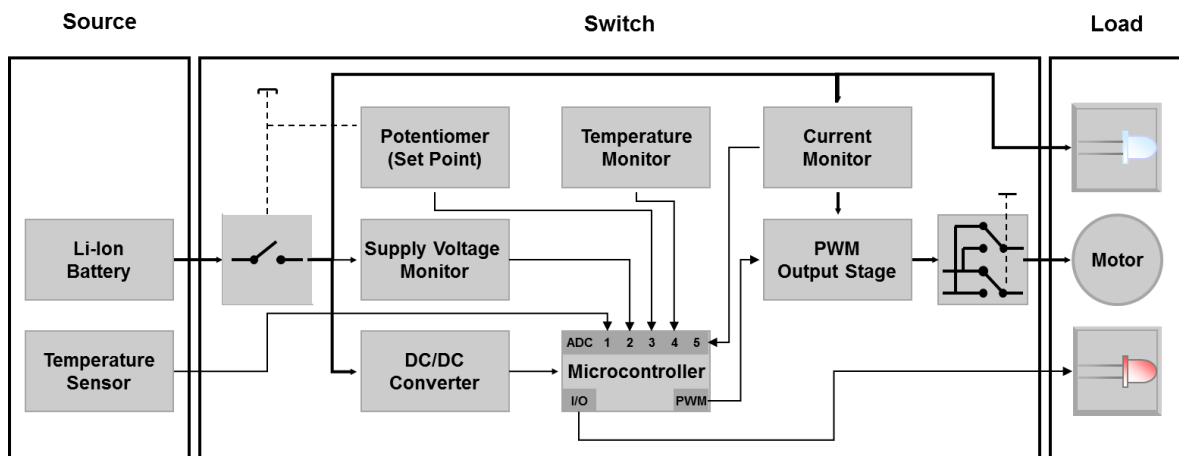
SERIES 2711 – DC SWITCH FOR LITHIUM-ION BATTERIES

DRAWINGS

(Dimensions in mm)



CIRCUIT



MARQUARDT

Marquardt Verwaltungs-GmbH · Ernst Müller-Str. 7 · 8201 Schaffhausen · Switzerland
Phone +41 (52) / 644 30 00 · Fax +41 (52) / 644 30 60 · info@marquardt.ch · www.marquardt.ch