



SERIES 1550 – ECO SWITCH

REMOTE-OFF AND AUTO-OFF ROCKER SWITCH



ADVANTAGE

- Less standby loss
- High level of safety for end customer
- Indication of device status
- Wide rating range
- Excellent haptics
- Numerous versions
- Exceeds the requirements of the European Eco-Design-Regulation

PRODUCT FEATURES

- Automatic switch-off functionality controlled by an external signal from the end device (remote-off) or by the integrated electronics (auto-off)
- Intelligent event-controlled switch-off of the end device (time, temperature, light or current profile)
- Integrated, programmable LED lighting for status display
- From low DC signal currents to ratings of 15 (4) A 125 / 250 V AC
- Optimized and symmetric actuation characteristic
- Remote-off or auto-off versions, DC pulse control, various rockers, colors, design frames, illumination
- Energy neutral through total single-pole galvanic separation – “Zero-Watt”

EXAMPLES OF APPLICATION

- Small household appliances
- Large household appliances
- Entertainment electronics
- Office equipment
- Medical devices
- Industrial applications

Rating	15 (4) A 250 V / 125 V AC
Switching function	ON / OFF, manual auto-off or remote-off
Illumination	Optional (glow lamp, LED status display)
Protection type	IP 40
Life endurance	50E3 / 25E3
→ Mechanical	
→ Electrical	
Ambient temperature	-25 °C ... +85°C (optional 105 °C)
Coil control pulse (remote-off)	4,5 A 250 V (1 half wave, 10ms)
Auto-off timer	
→ Time	Time setting: 4 sec to 71 hrs
→ Temperature	As temperature sensor with external NTC / PTC
→ Light	As light sensor with external photodiode
→ Current	With integrated current sensor / current profile
Terminal type	Quick-connect 4.8 x 0.8 mm
Actuating force	2 – 3 N ± 1.5 N
Flammability	UL 94 V-0 / GWIT IEC 60335
Approval marks	
Suitable for appliances of protection class II	



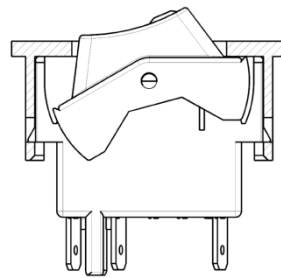
SERIES 1550 – ECO SWITCH

REMOTE-OFF AND AUTO-OFF ROCKER SWITCH

VARIANTS

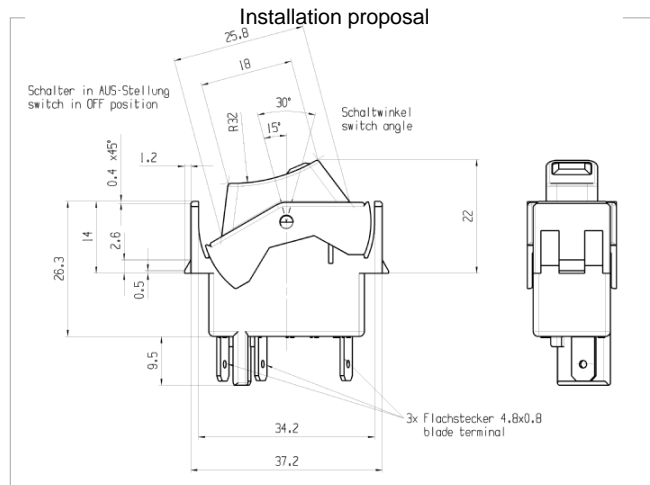
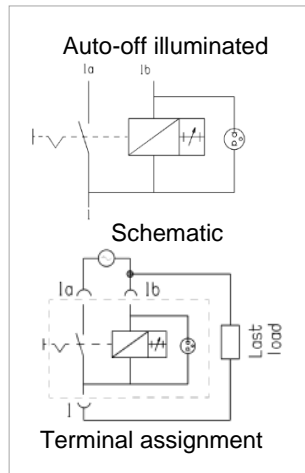
	Actuation type	Poles	Illumination	Switching function	Terminal type	Miscellaneous
Remote-off	Rocker switch	1	●	ON / OFF	Quick-connect 4.8 x 0.8 mm	DC pulse control / Round rocker / Mounting frame
	Rocker switch	1		ON / OFF		
Auto-off	Rocker switch	1	●	ON / OFF		Current detection / LED / Round rocker / Mounting frame
	Rocker switch	1		ON / OFF		

PRODUCT IMAGE

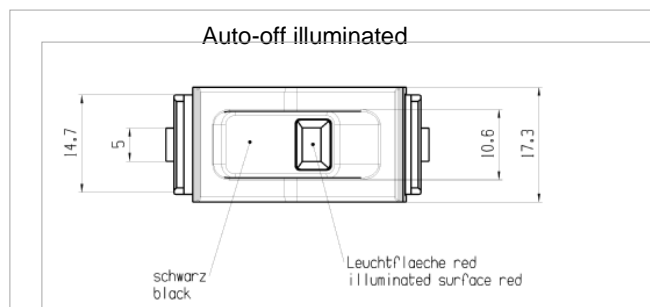
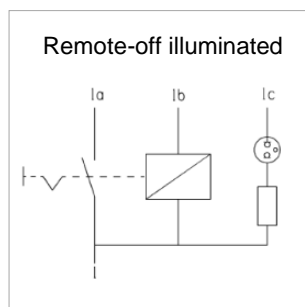


DRAWINGS

(Dimensions in mm)



CIRCUIT



MARQUARDT