



SERIES 1835 – ROCKER SWITCH

WITH CONTACT PROTECTION



ADVANTAGE

- No accidental actuation**
- High reliability**
- Excellent haptics**
- Numerous versions**
- Attractive, flexible design**
- High endurance**

PRODUCT FEATURES

- Contact protection
- Loads up to 20 A and with 400 V approval
- Optimized and symmetric actuation characteristic
- ON / OFF (DPST) or changeover (DPDT), (SPDT momentary); quick-connect-, solder-, or PCB terminals
- Rocker available in many different colors, optionally with function illumination
- Tried and tested switching system

EXAMPLES OF APPLICATION

- Household appliances
- Medical devices
- Industrial applications
- Laboratory devices
- Power supply
- Office equipment

Rating	10 (8) A 250 V AC 5E4 20 (4) A 250 V AC 1E4
Number of poles	Two poles
Type of actuation	Rocker switch
Illumination	Optional
Protection type	IP 40
Mechanical lifetime	10E4
Contact resistance (New condition)	< 100 (1 A 12 V DC) mOhm
Insulation resistance (New condition)	> 100 (500 V DC) MOhm
Proof tracking	250 PTI
Ambient temperature	-20 °C ... +85 °C
Flammability	UL 94 V-2 (optional V0)
Glow wire test temperature	850 °C
Actuating force	≤ 2.5 N
Approval marks	



SERIES 1835 – ROCKER SWITCH

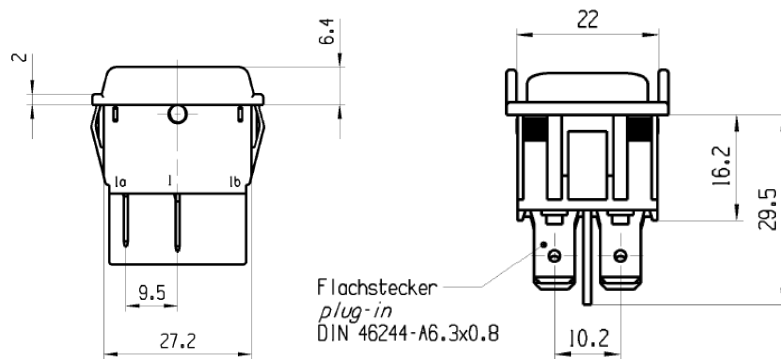
WITH CONTACT PROTECTION

VARIANTS

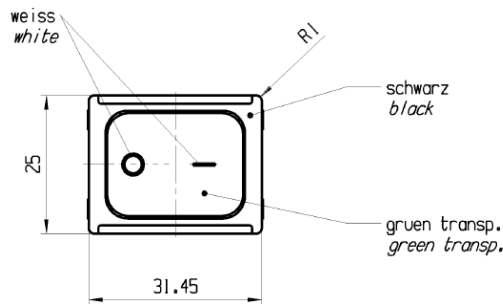
Part number	Color of actuator	Actuation type	Poles	Connection type	Miscellaneous
1836.3608	green	Rocker switch	2	Quick 6,3 x 0,8	Actuation protection
1835.3602	red	Rocker switch	2	Quick 6,3 x 0,8	
1835.3xxx	white	Rocker switch	2	Quick 4,8 x 0,8	
1835.3xxx	orange	Rocker switch	2	PCB terminal	
1835.3xxx	More	Rocker switch	2	PCB terminal angled	

DRAWINGS

(Dimensions in mm)

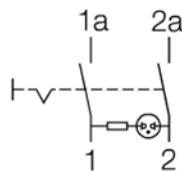


Quick-connect terminal 4,8



Cut-out		
Device wall thickness	Length	Width
0.75 – 1.25	30.0 ^{-0.1}	22 ^{+0.2}
1.25 – 2.00	30.2 ^{-0.1}	22 ^{+0.2}
2.00 – 3.00	30.6 ^{-0.1}	22 ^{+0.2}

CIRCUIT



ON / OFF switch with function illumination



MARQUARDT

Marquardt Mechatronik GmbH • Schloss-Straße 16 • 78604 Riethem-Weilheim • Germany
 Phone +49 (0) 74 24 / 99-0 • Fax +49 (0) 74 24 / 99-23 99 • marquardt@marquardt.de • www.marquardt.com