

SERIES 1830 – SINGLE POLE ROCKER SWITCH

DUST AND WATER PROTECTION IP 67



ADVANTAGE

Suitable for harsh environment

High endurance

Attractive, flexible design

Wide rating range


PRODUCT FEATURES

- With bellows seal, protected against dust and water IP 67
- 1 million switching cycles, switching concept with low-friction contact system, tried and tested 100 million times
- Oval rocker with silk-matt surface, available in different colors and with various prints (also customer-specific)

From low DC signal currents to ratings of 16 A 250 V AC 1/2 HP and signal voltage

EXAMPLES OF APPLICATION

- Recreational vehicles
- Cleaning equipment
- Canteen kitchen and catering technology
- Power tools
- Laboratory equipment
- Illumination
- Garden technology

Maximum Rating	
→ Europe	16 (4) A 250 V AC 1E4
→ America	16 A 125 V AC 1/3 HP 16 A 250 V AC 1/2 HP
Inrush peak current (capacitive)	120 A
Mechanical life	
→ ON/OFF, changeover switch	1E5 (1E6 on request)
→ Changeover switch with OFF position in the center	1E6
Contact resistance (new condition)	< 100 mOhm (12 V, 1 A DC)
Insulation resistance (new condition)	> 100 MOhm (500 V DC between open contacts)
Creep resistance (Proof Tracking Index)	PTI 250
Insulation distance	≥ 8 mm
Protection type	IP 67
Ambient temperature	
→ Terminal side	-20 °C ... +105 °C (no dew)
→ Terminal actuator side	-20 °C ... + 55 °C (no dew)
Flammability	UL 94 V-2
Glow wire test temperature	850 °C
Material Housing	PA 6.6
Material Rocker	PA 6.6
Material Bellows	EPDM
Plug force of the terminals	≤ 80 N
Approval marks	
Suitable for appliances of protection class II	

SERIES 1830 – SINGLE POLE ROCKER SWITCH

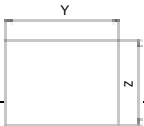
DUST AND WATER PROTECTION IP 67

VARIANTS

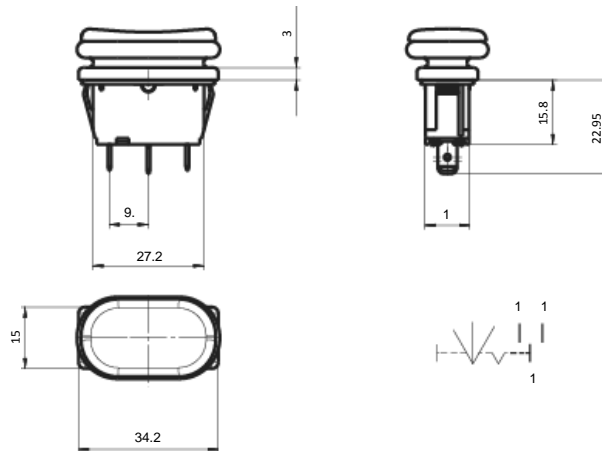
Basic type	Switching function	Terminal type	Miscellaneous
1831	ON/OFF (SPST)	Quick-connect terminal 6.3	Shape and color of rocker on request
1833	Changeover switch (SPDT)	Quick-connect Terminal 4.-8	Momentary versions not available
1838	Changeover switch with OFF position in the center (SPDT - center off)	Solder terminal, PCB terminal	Gold version for signal currents

DRAWINGS

(Dimensions in mm)



Cut-out		
Device wall thickness	Y	Z
0.75 – 1.25	30.0 ^{-0.1}	11 mm ^{+0.2}
1.25 – 2.00	30.2 ^{-0.1}	11 mm ^{+0.2}
2.00 – 3.00	30.6 ^{-0.1}	11 mm ^{+0.2}



MARQUARDT