



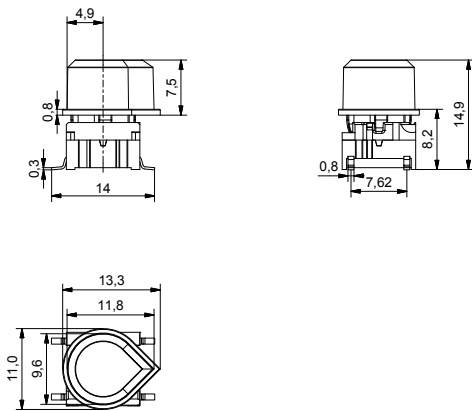
- Teardrop-shaped cap
- $\varnothing 9.6$ mm; $\square = 4.9$ mm
- $h = 14.9$ mm
- Material: ABS/polycarbonate
- Temp. Range:
 - Solid cap: $-40/+65^{\circ}\text{C}$
 - Transparent cap: $-40/+85^{\circ}\text{C}$
- Panel cut-out: 1NS- $\varnothing 10.2 / \square = 5.1$

All dimensions in mm

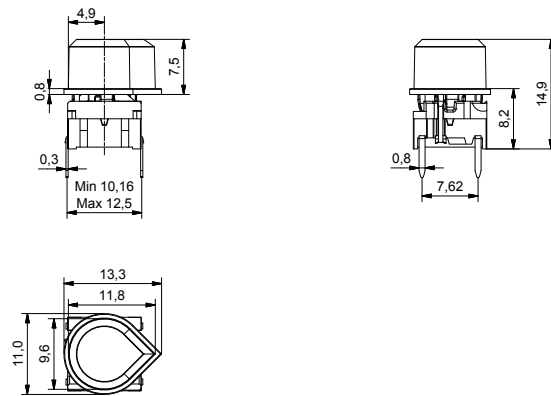
Tolerances $-/+0.2$ mm

DIMENSIONS


SMD + 1NS



TH w/LED + 1NS




ILLUMINATED – HOW TO ORDER

Switch	Mounting	Actuation force	LED	+	Cap transparent	Colour code
5 G	<input type="checkbox"/> <input type="checkbox"/> <input type="checkbox"/>	<input type="checkbox"/> <input type="checkbox"/> <input type="checkbox"/>	<input type="checkbox"/> <input type="checkbox"/> <input type="checkbox"/> <input type="checkbox"/>		1 N S	<input type="checkbox"/> <input type="checkbox"/>
	TH9 through-hole SH9 surface mount	20 35 65 Q*	01 blue 22 green 42 yellow 61 white 82 red 2242 green/yellow 8222 red/green 8242 red/yellow			16 frosted white

*For an illuminated quiet 2.0N switch add Q to the end of the switch part number.

NON-ILLUMINATED – HOW TO ORDER

Switch	Mounting	Actuation force	+	Cap	Colour code
5 G	<input type="checkbox"/> <input type="checkbox"/> <input type="checkbox"/>	<input type="checkbox"/> <input type="checkbox"/> <input type="checkbox"/>		1 N S	<input type="checkbox"/> <input type="checkbox"/>
	TH9 through-hole SH9 surface mount	20 20Q 35 65			03 grey 09 black

Ordering example:
5GSH965+1NS09 non-illuminated OR 5GTH93501+1NS16 with illumination OR *5GTH92081Q (illuminated quiet version)
Please see colour codes, updates of products and changes of specifications on www.mec.dk