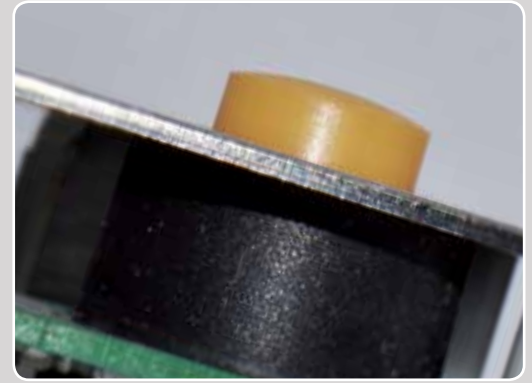


- Square, round and half-ellipse shaped caps
- Rounded top surface
- Option to have it panel sealed
 - IP67 = 5G+1TS+1TW
 - IP67 = 5G+1US+1UW
 - IP65 = 5G+1VS+1VW
- 10.6 mm x 10.6 mm; Ø10.6 mm; 10.6 mm x 13.25 mm
- h =14.9 mm
- Material: ABS/polycarbonate (cap); silicone rubber (sealing)
- Temp. Range:
 - Solid cap: -40/+65°C
 - Transparent cap: -40/+85°C
- Panel cut-out: 1TS-11.0 x 11.0, 1US-Ø11.0, 1VS-11.0 x 13.65

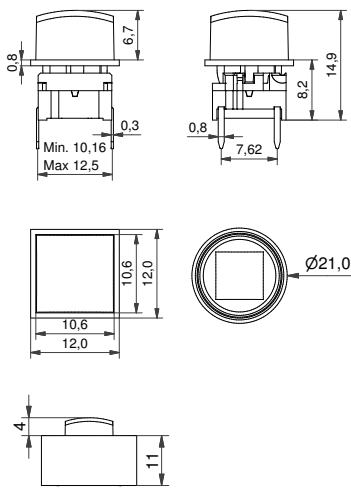


All dimensions in mm

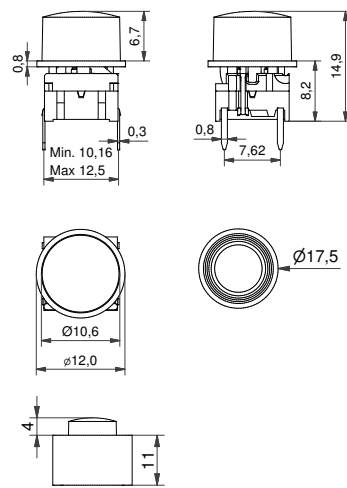
Tolerances +/-0.2mm

DIMENSIONS

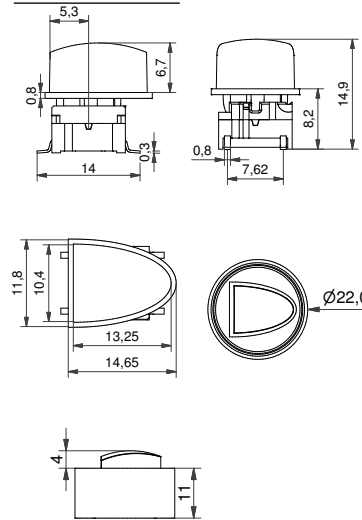
TH + 1TS+1TW



TH w/LED + 1US+1UW



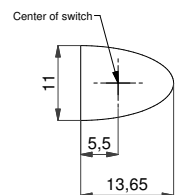
SMD + 1VS+1VW



PANEL CUT-OUT

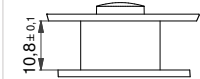
Recommended

- 1TS - 11x11 mm
- 1US - Ø11 mm
- 1VS



*mathematical shape of half-ellipse

Distance between PCB and front panel



ILLUMINATED – HOW TO ORDER

Switch	Mounting	Actuation force	LED	+	Cap	Colour code	+	Sealing
5 G	TH9 through-hole SH9 surface mount	20 35 65 Q*	01 blue 22 green 42 yellow 61 white 82 red 2242 green/yellow 8222 red/green 8242 red/yellow		1TS 1US	16 frosted white		1TW 1UW 1VW

*For an illuminated quiet 2.0N switch add Q to the end of the switch part number.

NON-ILLUMINATED – HOW TO ORDER

Switch	Mounting	Actuation force	+	Cap	Colour code	+	Sealing
5 G	TH9 through-hole SH9 surface mount	20 20Q 35 65		1TS 1US	00 blue 03 grey 08 red 09 black		1TW 1UW 1VW

Ordering example:

5GSH935 + 1TS03 + 1TW without illumination OR 5GTH96542 + 1US16 + 1UW with illumination OR *5GTH92082Q (illuminated quiet version)

Please see colour codes, updates of products and changes of specifications on www.mec.dk