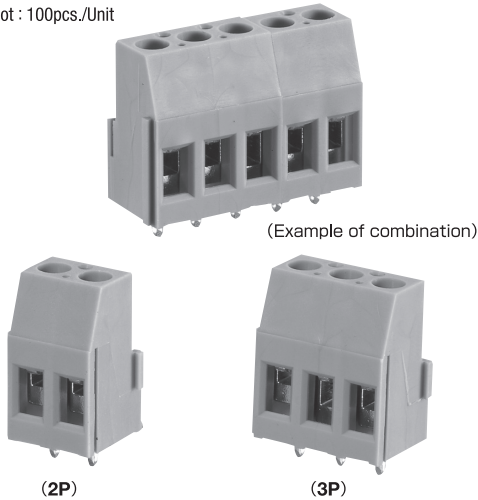


OS-24

UL US (FW2)

Ordering lot : 100pcs./Unit

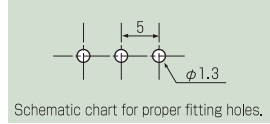
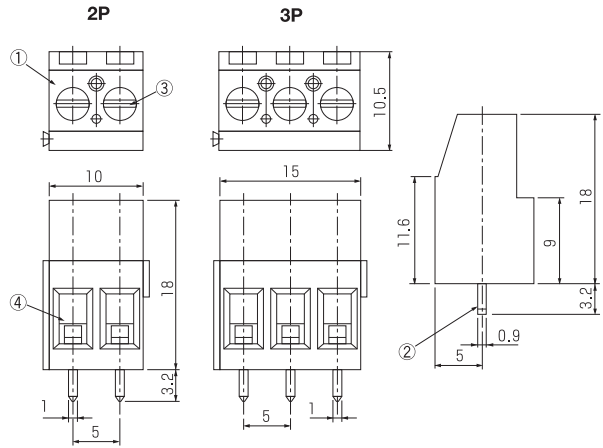
Pitch (terminal to terminal) : 5mm



(2P)

(3P)

Number of terminals : Number of poles required
[combination of 2P and 3P]



Specifications

Electrical Rating	300V, 12A
Insulation Resistance	DC500V, 1000MΩ
Withstanding Voltage	AC2500V
Cable Range	AWG24~12
Storage Temperature Rating	-40°C~+80°C
Usage Temperature Rating	-40°C~+80°C

Composition

No.	Part Name	Materials	Flame Class	Treatment	Remarks
①	Base	PA 66	94V-0		Gray
②	Terminal	Brass		Sn	
③	Screw	Steel		Cr ³⁺ Zn	⊖ Screw
④	Contact	Brass		Ni	