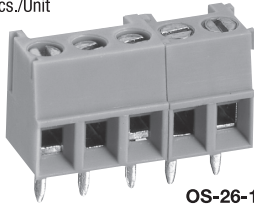


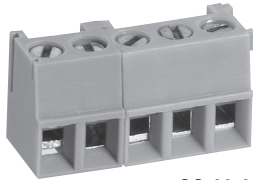
# OS-26

c **FA** us (FW2)

Ordering lot : 100pcs./Unit



**OS-26-1** (Straight)



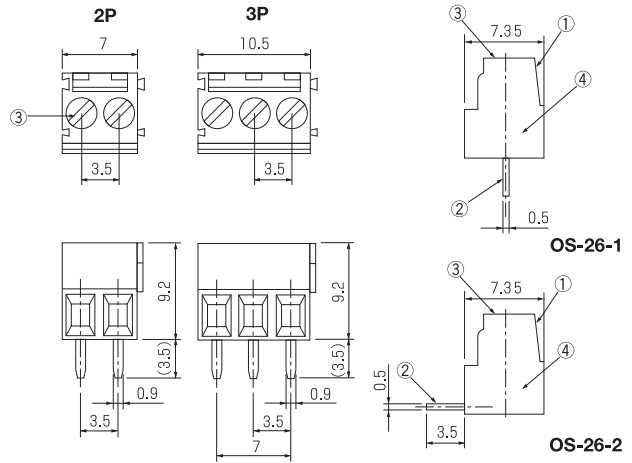
**OS-26-2** (Angle Type)

Number of terminals : Number of poles required  
[combination of 2P and 3P]

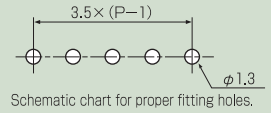
## Specifications

Electrical Rating	150V, 8A
Insulation Resistance	DC500V, 500MΩ
Withstanding Voltage	AC2000V
Cable Range	AWG26~16
Wire Strip Length	5~7mm
Storage Temperature Rating	-25°C~+80°C
Usage Temperature Rating	-25°C~+80°C

Pitch (terminal to terminal) : 3.5mm



Wire Strip Length



## Composition

No.	Part Name	Materials	Flame Class	Treatment	Remarks
①	Base	PA 66	94V-0		Green
②	Terminal	Brass		Sn	
③	Screw (M2×0.4P)	Steel		Ni	⊖ Screw
④	Contact	Brass		Ni	