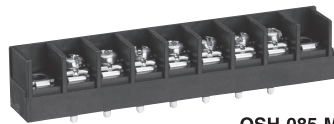
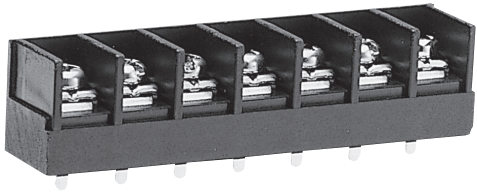


OSH-085-B

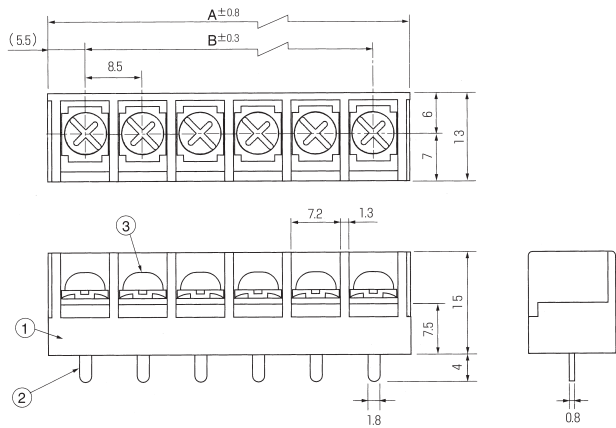
cUL_{us} (FW2)

Pitch (terminal to terminal) : 8.5mm



OSH-085-M

※Cover attachment available



Specifications

Electrical Rating	300V, 10A
Insulation Resistance	DC500V, 1000MΩ
Withstanding Voltage	AC2500V
Storage Temperature Rating	-40°C~+90°C
Usage Temperature Rating	-40°C~+90°C

Composition

No.	Part Name	Materials	Flame Class	Treatment	Remarks
①	Base	PBT	94V-0		Black
②	Terminal	Brass		Sn	
③	Screw (M3)(M3.5)×7L	Steel		Ni	F Series

Measurements List of A & B (P : Number of terminals) Special Order 13P~15P

	P	2	3	4	5	6	7	8	9	10	11	12	13	14	15
B Type	A	19.5	28.0	36.5	45.0	53.5	62.0	70.5	79.0	87.5	96.0	104.5	113.0	121.5	130.0
	B	8.5	17.0	25.5	34.0	42.5	51.0	59.5	68.0	76.5	85.0	93.5	102.0	110.5	119.0
M Type	A	36.5	45.0	53.5	62.0	70.5	79.0	87.5	96.0	104.5	113.0	121.5	130.0		
	B	25.5	34.0	42.5	51.0	59.5	68.0	76.5	85.0	93.5	102.0	110.5	119.0		