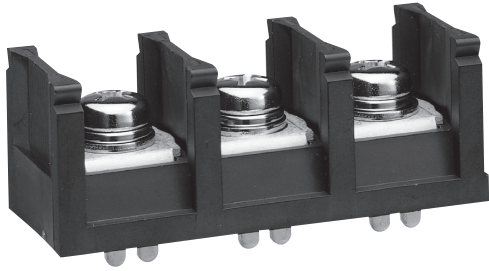
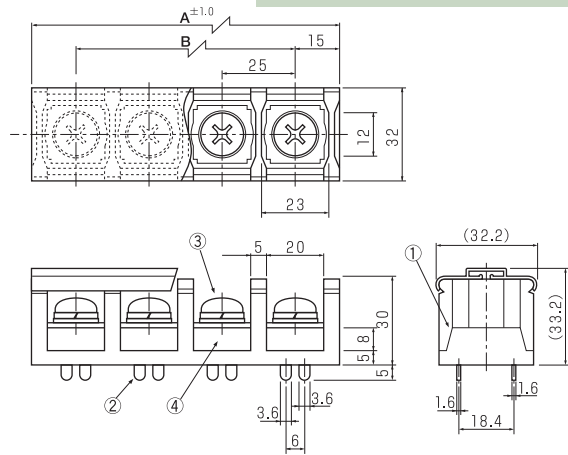


OTB-1500



※Instantly Detachable Cover (Optional)

Pitch (terminal to terminal) : 25mm



Specifications

Electrical Rating	600V, 130A
Insulation Resistance	DC500V, 1000MΩ
Withstanding Voltage	AC2500V
Storage Temperature Rating	-40°C~+90°C
Usage Temperature Rating	-40°C~+90°C

Composition

No.	Part Name	Materials	Flame Class	Treatment	Remarks
①	Base	PBT	94V-0		Black
②	Terminal	Copper		Sn	
③	Screw (M8x14L)	Steel		Ni	
④	Hexagon Nut	Steel		Cr ³⁺ Zn	

Measurements List of A & B (P : Number of terminals)

P	1	2	3	4	5	6	7	8	9	10	11	12	13	14
A		55	80	105	130	155	180	205						
B		25	50	75	100	125	150	175						

