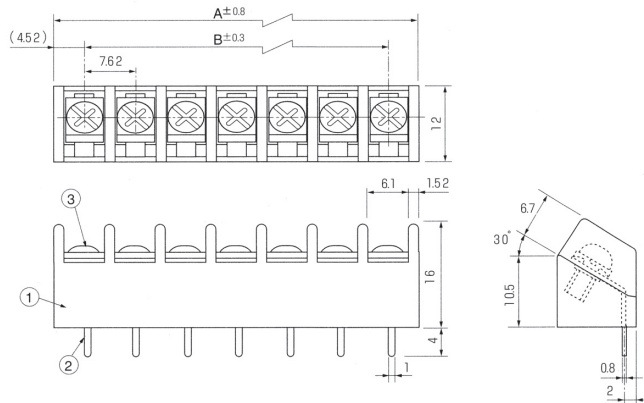
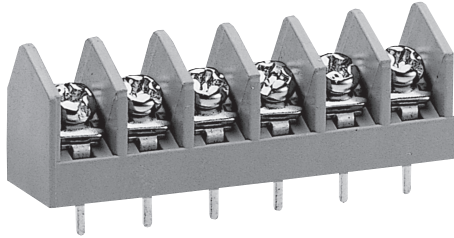


OTB-192

Pitch (terminal to terminal) : 7.62mm



Specifications

Electrical Rating	150V, 10A
Insulation Resistance	DC500V, 1000MΩ
Withstanding Voltage	AC2500V
Storage Temperature Rating	-40°C~+90°C
Usage Temperature Rating	-40°C~+90°C

Composition

No.	Part Name	Materials	Flame Class	Treatment	Remarks
①	Base	PBT	94V-0		Blue
②	Terminal	Brass		Sn	
③	Screw (M3×6L)	Steel		Ni	F Series

Measurements List of A & B (P : Number of terminals)

P	1	2	3	4	5	6	7	8	9	10	11	12	13	14	15
A		16.66	24.28	31.90	39.52	47.14	54.76	62.38	70.00	77.62	85.24	92.86	100.48	108.10	115.72
B		7.62	15.24	22.86	30.48	38.10	45.72	53.34	60.96	68.58	76.20	83.82	91.44	99.06	106.68