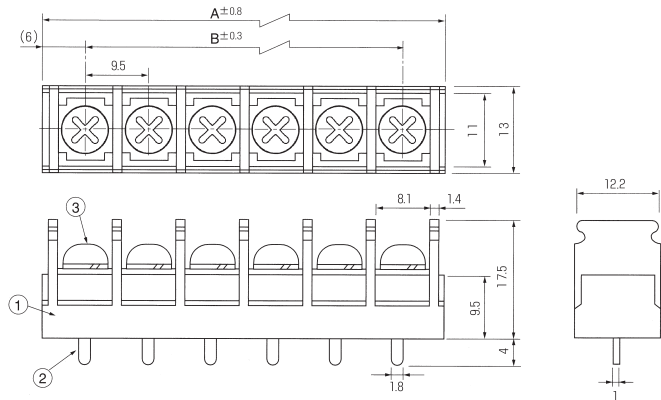
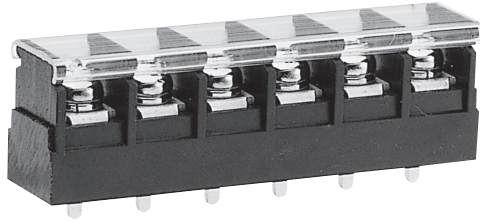


OTB-760N-B

c  (FW2) TÜV

Pitch (terminal to terminal) : 9.5mm



※Instantly Detachable Cover (Optional)

Specifications

Electrical Rating	300V, 20A
Insulation Resistance	DC500V, 1000MΩ
Withstanding Voltage	AC2500V
Storage Temperature Rating	-40°C~+90°C
Usage Temperature Rating	-40°C~+90°C

Composition

No.	Part Name	Materials	Flame Class	Treatment	Remarks
①	Base	PBT	94V-0		Black
②	Terminal	Brass		Sn	
③	Screw(M3.5)(M4)	Steel		Cr ³⁺ Zn / Ni	P and F Series

Measurements List of A & B (P : Number of terminals)

P	1	2	3	4	5	6	7	8	9	10	11	12	13	14	15
A		21.5	31.0	40.5	50.0	59.5	69.0	78.5	88.0	97.5	107.0	116.5	126.0	135.5	145.0
B		9.5	19.0	28.5	38.0	47.5	57.0	66.5	76.0	85.5	95.0	104.5	114.0	123.5	133.0