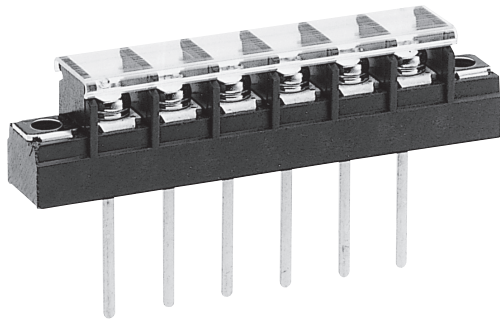
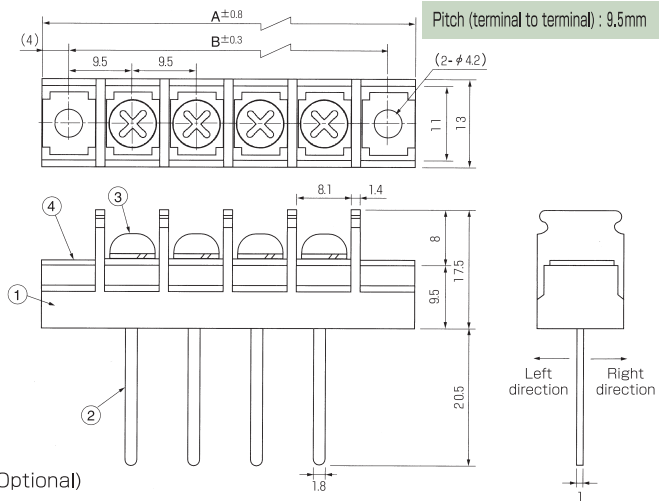


OTB-761N-M



※Instantly Detachable Cover (Optional)



Specifications

Electrical Rating	300V, 20A
Insulation Resistance	DC500V, 1000MΩ
Withstanding Voltage	AC2500V
Storage Temperature Rating	-40°C~+90°C
Usage Temperature Rating	-40°C~+90°C

Composition

No.	Part Name	Materials	Flame Class	Treatment	Remarks
①	Base	PBT	94V-0		Black
②	Terminal	Brass		Sn	
③	Screw(M3.5)(M4)	Steel		Cr ³⁺ Zn / Ni	P and F Series
④	Mounting Plate	Brass		Ni	

Measurements List of A & B (P : Number of terminals)

P	1	2	3	4	5	6	7	8	9	10	11	12	13	14	15
A		36.5	46.0	55.5	65.0	74.5	84.0	93.5	103.0	112.5	122.0	131.5	141.0	150.5	160.0
B		28.5	38.0	47.5	57.0	66.5	76.0	85.5	95.0	104.5	114.0	123.5	133.0	142.5	152.0