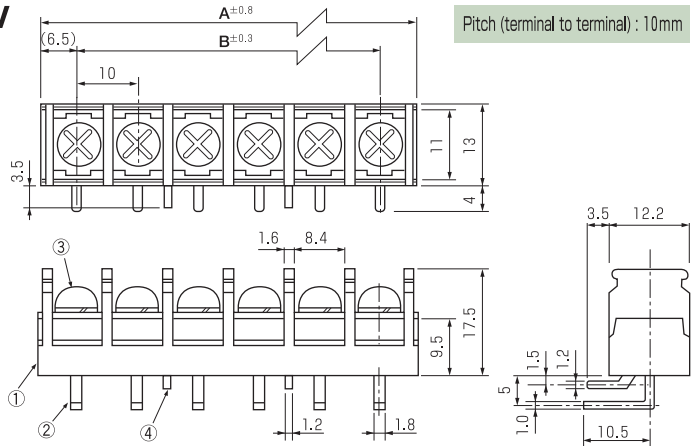
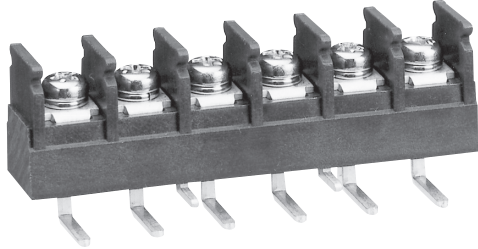


OTB-771N-BL



Pitch (terminal to terminal) : 10mm

※ Instantly Detachable Cover (Optional)

Location of mounting pins

2P~5P : On the insides of the outer-most terminal pins located at both ends.
6P~ : As shown in the drawing.

Specifications

Electrical Rating	300V, 20A
Insulation Resistance	DC500V, 1000MΩ
Withstanding Voltage	AC2500V
Storage Temperature Rating	-40℃~+90℃
Usage Temperature Rating	-40℃~+90℃

Composition

Placement of mounting pins and quantity can be adjusted.

No.	Part Name	Materials	Flame Class	Treatment	Remarks
①	Base	PBT	94V-0		Black
②	Terminal	Brass		Sn	
③	Screw (M3.5)(M4)	Steel		Cr ³⁺ Zn / Ni	P and F Series
④	Mounting Plate	Brass		Sn	BL Type

Measurements List of A & B (P : Number of terminals)

P	1	2	3	4	5	6	7	8	9	10	11	12	13	14	15
A		23	33	43	53	63	73	83	93	103	113	123	133	143	153
B		10	20	30	40	50	60	70	80	90	100	110	120	130	140