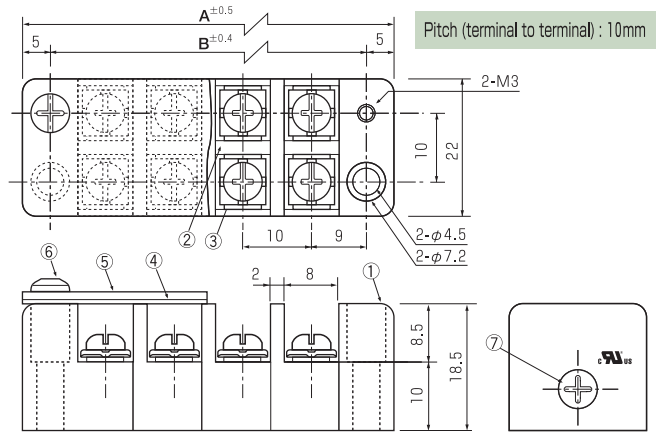
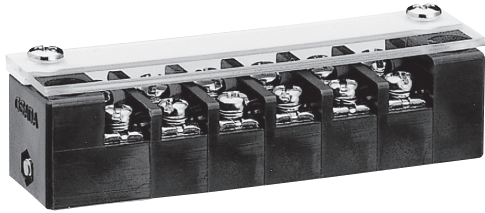


OTB-406N

UL US (FW2) TÜV



Specifications

Electrical Rating	250V, 15A
Insulation Resistance	DC500V, 1000MΩ
Withstanding Voltage	AC2500V
Storage Temperature Rating	-40°C~+90°C
Usage Temperature Rating	-40°C~+90°C

Composition

No.	Part Name	Materials	Flame Class	Treatment	Remarks
①	Base	PBT	94V-0		Black
②	Terminal	Brass		Ni	
③	Screw (M3.5×8L)	Steel		Ni	F Series
④	Marking Strip				
⑤	Cover	Polycarbonate	94V-0		Transparency
⑥	Attachment screws for cover M3×6L	Brass		Ni	B Series
⑦	Joint Shaft	Steel		Ni	M3

Measurements List of A & B (P : Number of terminals)

P	1	2	3	4	5	6	7	8	9	10	11	12	13	14	15	16	17	18	19	20
A		38	48	58	68	78	88	98	108	118	128	138	148	158	168	178	188	198	208	218
B		28	38	48	58	69	78	88	98	108	118	128	138	148	158	168	178	188	198	208