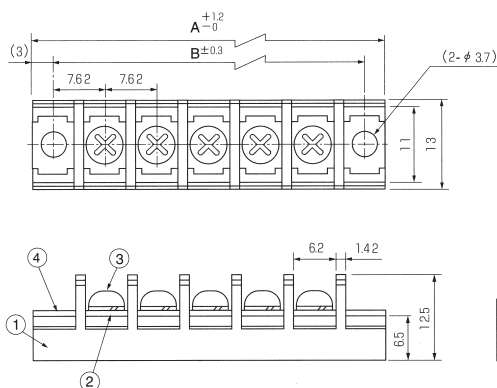
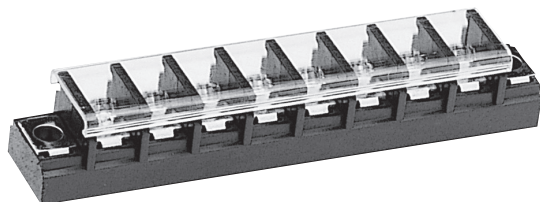


OTB-753 TUV

Pitch (terminal to terminal) : 7.62mm



※Instantly Detachable Cover (Optional)

Specifications

Electrical Rating	250V, 12A
Insulation Resistance	DC500V, 1000MΩ
Withstanding Voltage	AC2500V
Storage Temperature Rating	-40°C~+90°C
Usage Temperature Rating	-40°C~+90°C

Composition

No.	Part Name	Materials	Flame Class	Treatment	Remarks
①	Base	PBT	94V-0		Black
②	Terminal	Brass		Ni	
③	Screw (M3×6L)	Brass		Ni	P Series
④	Mounting Plate	Brass		Ni	

Measurements List of A & B (P : Number of terminals)

P	1	2	3	4	5	6	7	8	9	10	11	12	13
A		28.86	36.48	44.10	51.72	59.34	66.96	74.58	82.20	89.82	97.44	105.06	
B		22.86	30.48	38.10	45.72	53.34	60.96	68.58	76.20	83.82	91.44	99.06	