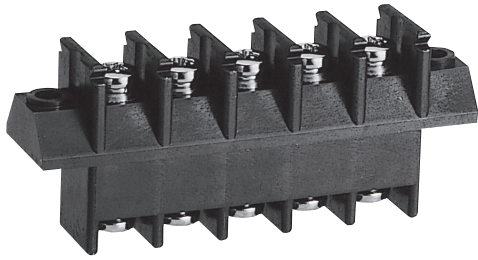


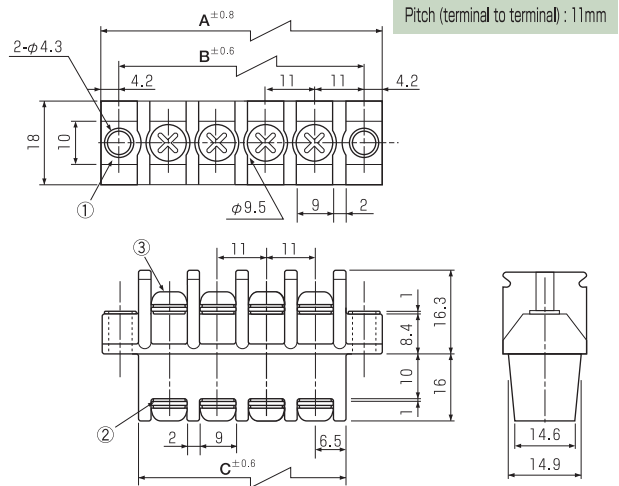
OGM-300



(Upper and lower sealing up type)



※Instantly Detachable Cover (Optional)



Specifications

Electrical Rating	300V, 25A
Insulation Resistance	DC500V, 1000MΩ
Withstanding Voltage	AC2500V
Storage Temperature Rating	-40°C~+90°C
Usage Temperature Rating	-40°C~+90°C

Composition

No.	Part Name	Materials	Flame Class	Treatment	Remarks
①	Base	PBT	94V-0		Black
②	Terminal	Brass		Ni	
③	Screw (M4×7L)	Brass		Ni	

Measurements List of A, B & C (P : Number of terminals)

P	1	2	3	4	5	6	7	8	9	10	11	12
A		41.4	52.4	63.4	74.4	85.4		107.4		129.4		151.4
B		33	44	55	66	77		99		121		143
C		24	35	46	57	68		90		112		134

