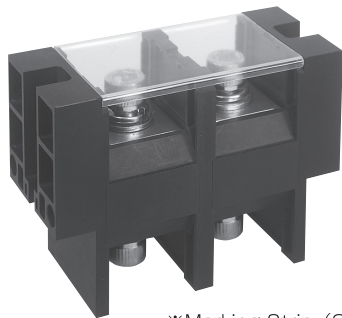
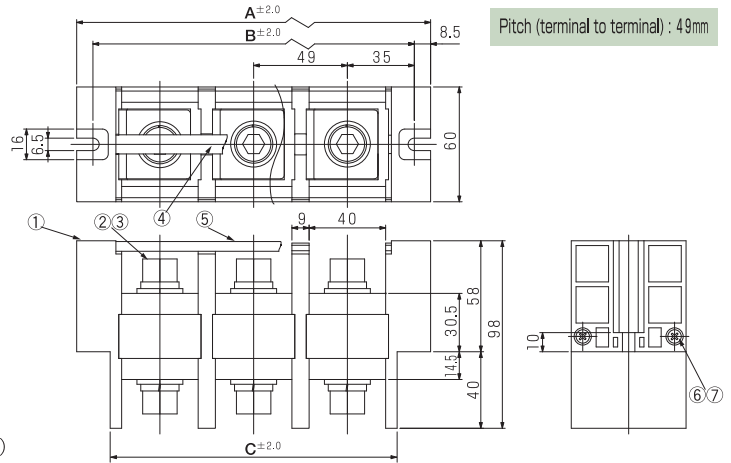


OTB-688

UL US (FW2)



※Marking Strip (Optional)



Specifications

Electrical Rating	600V, 400A
Insulation Resistance	DC500V, 1000MΩ
Withstanding Voltage	AC2500V
Storage Temperature Rating	-40°C~+90°C
Usage Temperature Rating	-40°C~+90°C

Measurements List of A, B & C (P : Number of terminals)

P	1	2	3	4	5	6	7	8	9	10	11	12
A	87	136	185	234	283	332	381	430				
B	70	119	168	217	266	315	364	413				
C	52	101	150	199	248	297	346	395				

Composition

No.	Part Name	Materials	Flame Class	Treatment	Remarks
①	Base	PBT	94V-0		Black
②	Terminal	Copper		Ni	
③	Bolt (M12×25L)	Steel		Cr ³⁺ Zn	※
④	Marking Strip				Optional
⑤	Cover	Polycarbonate	94V-0		Transparency
⑥	Joint Shaft (M4)	Steel		Ni	
⑦	Nut (M4)	Steel		Ni	

※Hexagon socket head cap screw (standard) or Upset head bolt

