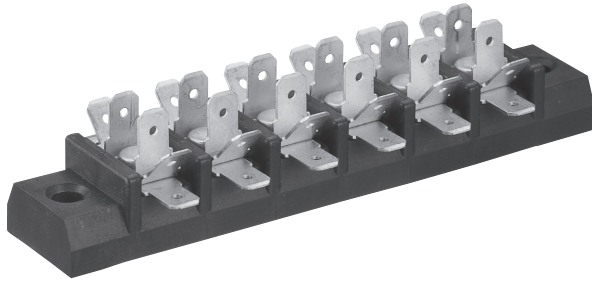
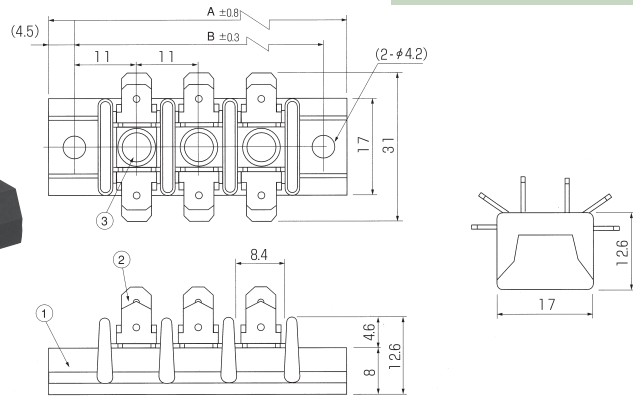


# OFD-02N

Lot: 10pcs. over



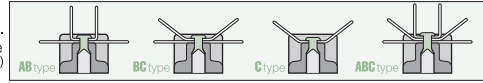
Pitch (terminal to terminal) : 11mm



## Specifications

Electrical Rating	250V, 10A
Insulation Resistance	DC500V, 1000MΩ
Withstanding Voltage	AC2500V
Storage Temperature Rating	-40°C~+90°C
Usage Temperature Rating	-40°C~+90°C

The combination example of the tab.  
(The combination of the tab can be done freely.)



## Composition

No.	Part Name	Materials	Flame Class	Treatment	Remarks
①	Base	PBT	94V-0		Black
②	Tab187	Brass		Sn	A · B · C
③	Hollow Rivet	Aluminum			

## Measurements List of A & B ( P : Number of terminals ) Special Order 11P~20P

P	1	2	3	4	5	6	7	8	9	10	11	12	13	14	15	16	17	18	19	20
A		42	53	64	75	86	97	108	119	130	141	152	163	174	185	196	207	218	229	240
B		33	44	55	66	77	88	99	110	121	132	143	154	165	176	187	198	209	220	231