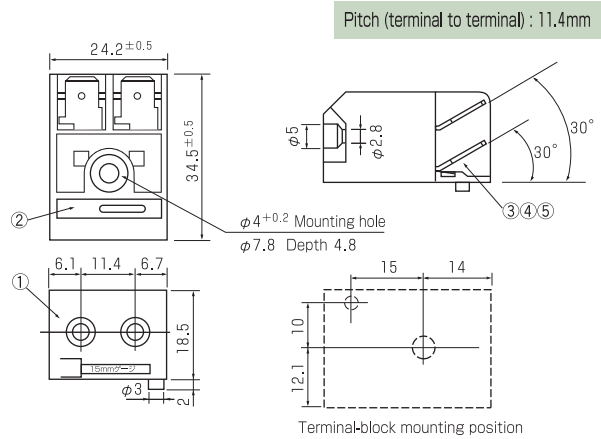
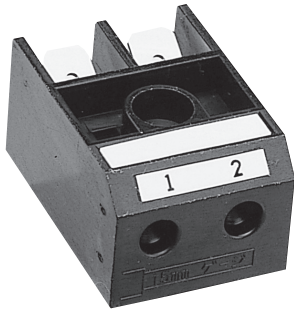
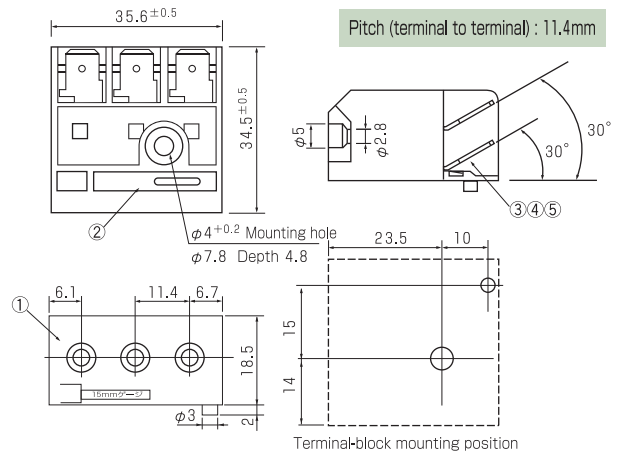
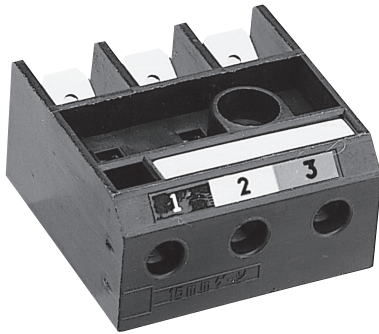


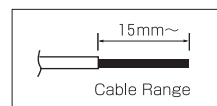
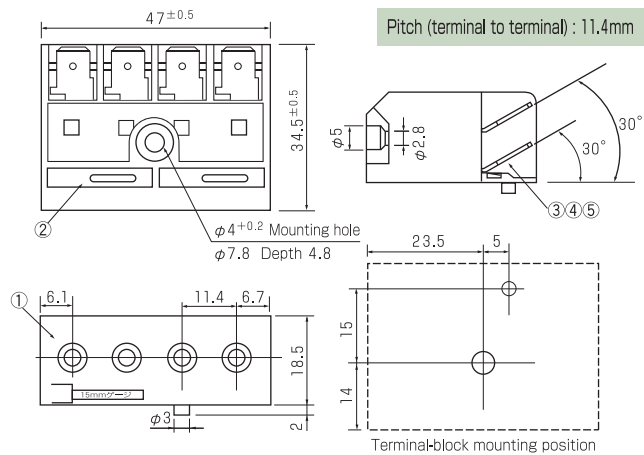
ONST-250-2P



ONST-250-3P



ONST-250-4P



Specifications

Electrical Rating	300V, 20A
Insulation Resistance	DC500V, 1000MΩ
Withstanding Voltage	AC2500V
Storage Temperature Rating	-40°C~+90°C
Usage Temperature Rating	-40°C~+90°C
Cable Range	Insulated polyvinyl chloride sheathed flat cables (VVF), φ1.6~2.0

Composition

No.	Part Name	Materials	Flame Class	Treatment	Remarks
①	Base	PBT	94V-0		Black
②	Push Button	PBT	94V-0		White
③	Tab250	Brass		Ni	
④	Spring	SUS301			
⑤	Clip	SUS301			