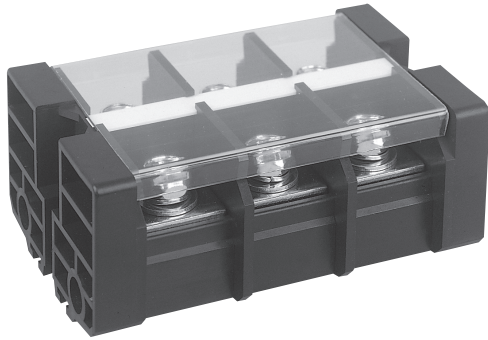


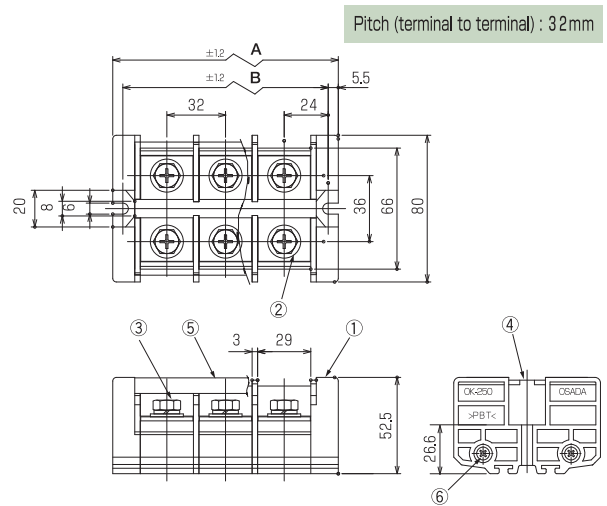
OK-250

UL (FW2)

SCCR 35kA



※Acceptable for DIN-rail.



Specifications

Electrical Rating	600V, 250A (Two ring-molding can be used.)
Insulation Resistance	DC500V, 1000MΩ
Withstanding Voltage	AC2500V
Storage Temperature Rating	-40°C~+90°C
Usage Temperature Rating	-40°C~+90°C

Composition

No.	Part Name	Materials	Flame Class	Treatment	Remarks
①	Base	PBT	94V-0		Black
②	Terminal	Brass		Ni	
③	Bolt (M8×20L)	Steel		Cr ³⁺ Zn	
④	Marking Strip				
⑤	Cover	Polycarbonate			
⑥	Joint Shaft (M4)	Steel	94V-0	Ni	

Measurements List of A & B (P : Number of terminals)

P	1	2	3	4	5	6	7	8	9	10	11	12
A	59	91	123	155	187	219	251	283	315	347	379	411
B	48	80	112	144	176	208	240	272	304	336	368	400