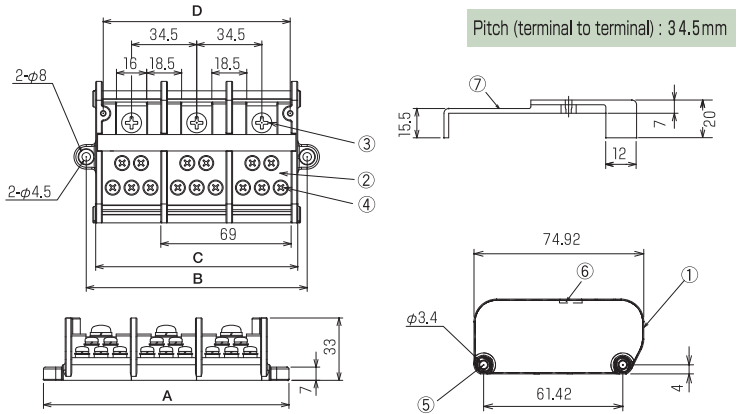


# OTP-6000

(Block type)



Pitch (terminal to terminal) : 34.5mm

Figure of input and output



Output M4×5 (Total 125A) Input M6 (125A)

It is producible from 1 pole to 8 poles With cover type (2P, 3P, 4P)

Measurements List

	2	3	4	5	6	7	8
A	95.5	130	164.5	199	233.5	268	302.5
B	82.5	117	151.5	186	220.5	255	289.5
C	72.5	107	141.5	176	210.5	245	279.5
D	64.5	99	133.5	168	202.5	237	271.5

Specifications

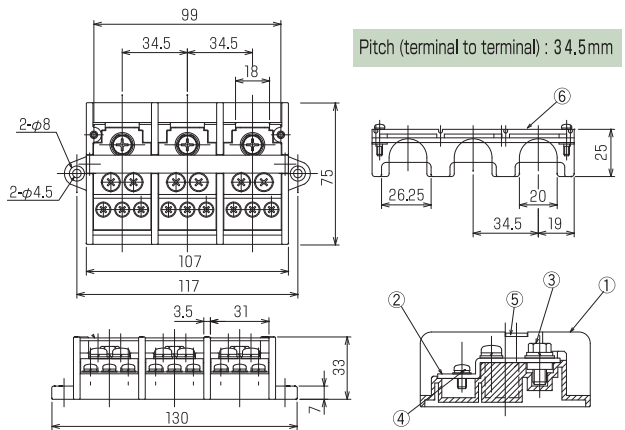
Electrical Rating	600V, 125A
Insulation Resistance	DC500V, 1000MΩ
Withstanding Voltage	AC2500V
Storage Temperature Rating	-40°C~+90°C
Usage Temperature Rating	-40°C~+90°C

Composition

No.	Part Name	Materials	Flame Class	Treatment	Remarks
①	Base	PA 66	94V-0		Black
②	Terminal	Copper		Ni	
③	Screw M6	Steel		Cr <sup>3+</sup> Zn	SW · PW
④	Screw	Steel		Ni	SW · PW
⑤	Joint Shaft M3	Brass		Ni	
⑥	Marking Strip				White
⑦	Cover	Polycarbonate			Transparency

# OTP-6000N Series SCCR 65kA

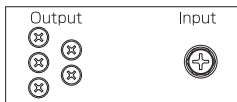
All-in-one design



Pitch (terminal to terminal) : 34.5mm

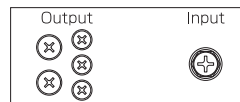
Figure of input and output

## OTP-6000N



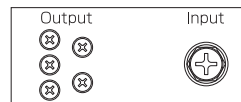
Output M4×5 (Total 125A) Input M6 (125A)

## OTP-6000N-1



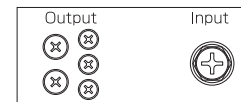
Output M5×2, M4×3 (Total 125A) Input M6 (125A)

## OTP-6000N-2



Output M4×5 (Total 125A) Input M8 (125A)

## OTP-6000N-4



Output M5×2, M4×3 (Total 125A) Input M8 (125A)

Specifications

Electrical Rating	600V, 125A
Insulation Resistance	DC500V, 1000MΩ
Withstanding Voltage	AC2500V
Storage Temperature Rating	-40°C~+90°C
Usage Temperature Rating	-40°C~+90°C

Composition

No.	Part Name	Materials	Flame Class	Treatment	Remarks
①	Base	PA 66	94V-0		Black
②	Terminal	Copper		Ni	
③	Bolt	Steel		Cr <sup>3+</sup> Zn	SW · PW
④	Screw	Steel		Ni	SW · PW
⑤	Marking Strip	PA 66			Gray
⑥	Cover	Polycarbonate			Transparency