

The LPL Indicator Light series offers an excellent means of indicating the activity of a circuit by providing a visual on/off indication of process conditions. The LPL series is ideally suited as part of a panel mounted indicator for control panels, instrumentation and front panel fault indicators.

The LPL series is manufactured to the highest standards and built to withstand harsh environments, offering anodized aluminum alloy cases with seal options of moistureproof and dusttight to IP64 or watertight to IP68S. The LPL series offers long life LED lighting in a variety of colors and can accommodate 2 to 24VDC power.

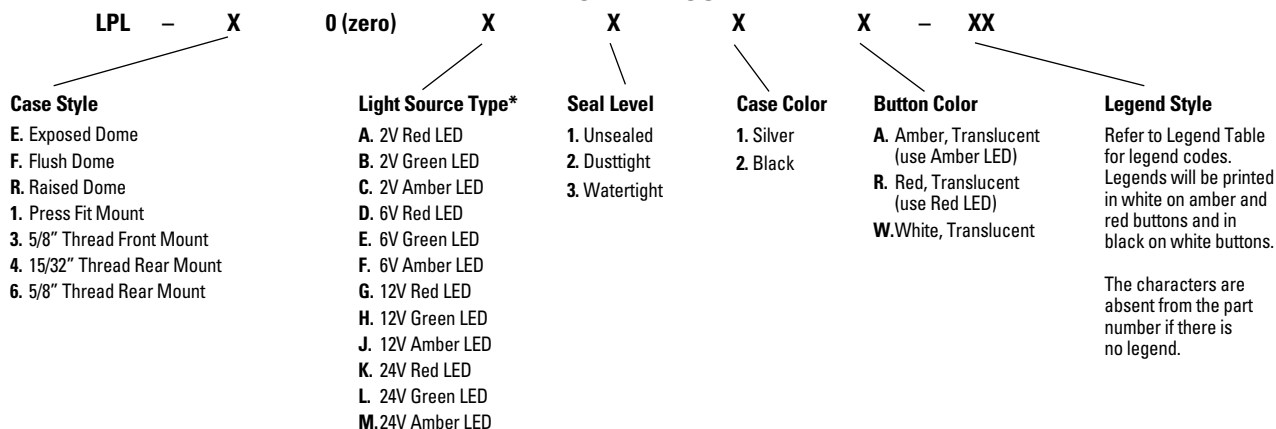
Features:

- **Seal options include:**
 - ◆ **Watertight per MIL-PRF-8805, Design 3 and watertight 1 meter to IP68S**
 - ◆ **Dusttight per MIL-PRF-8805, Design 2 and Dusttight/protected against splashing water per IP64**
 - ◆ **Unsealed**
- **LED lighted with the ability to accommodate 2, 6, 12 & 24VDC power and includes reverse voltage protection**
- **Tall and dome style buttons in translucent white, red & amber permitting sublimated & pad printed legends**
- **15/32" & 5/8" thread, press fit & dome case styles available**
- **Built-in current limiting resistor & reverse polarity protection**
- **Looks identical to the LP3 & LP5 series to provide a cohesive panel look**
- **RoHS/WEEE/Reach compliant**



Standard Characteristics/Ratings:		
LIGHTING:		
Light Source Voltage (DC)	Actual Voltage Nominal (DC)	Voltage Max (DC)
2	2	2.6
6	7	8
12	13.5	14.5
24	28	28.6
Seal:	Options include: <ul style="list-style-type: none"> • Watertight per MIL-PRF-8805, Design 3 and IP68S • Dusttight per MIL-PRF-8805, Design 2 and IP64 • Unsealed 	
Operating Temp Range: -55°C to +85°C		
MATERIALS:		
Case:	Anodized aluminum alloy	
Button:	Thermoplastic	
Terminals:	Brass	
Mounting Hardware:	Hex nut, lockwasher and panel gasket when applicable	

LPL PART NUMBER CODE



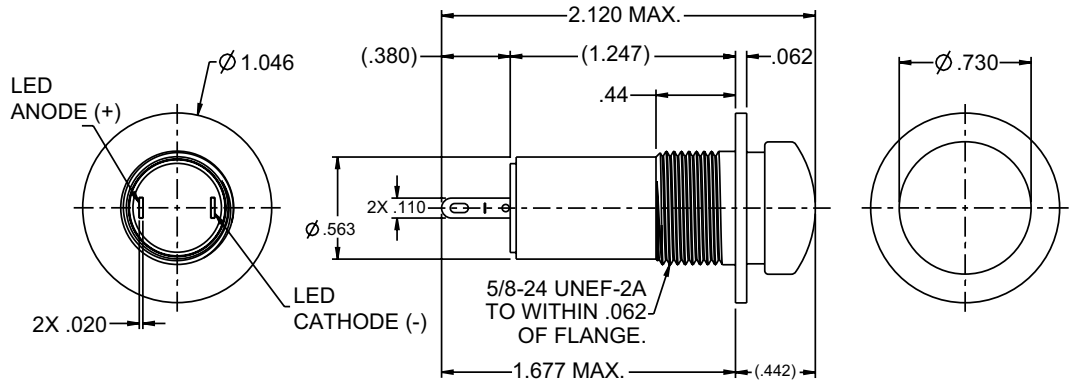
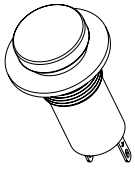
* For super bright LEDs, contact factory.

LPL INDICATOR LIGHTS

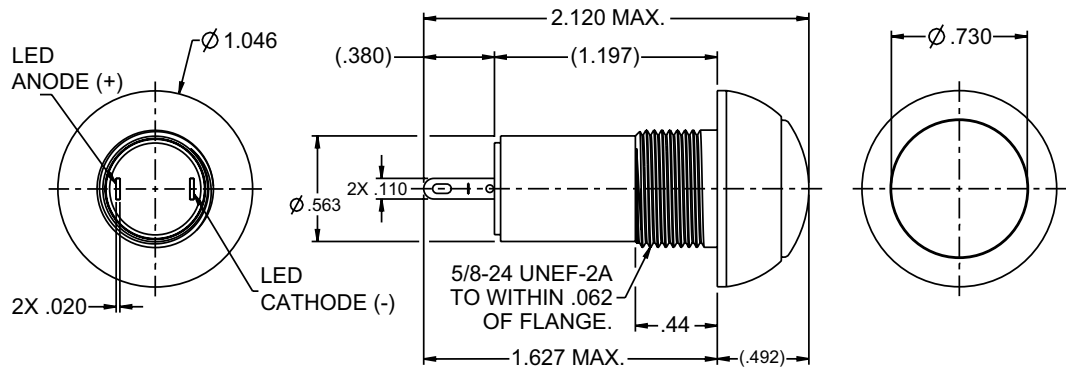
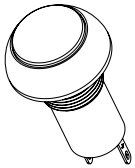
LPL
INDICATOR
LIGHTS

LED ILLUMINATED & SEALED

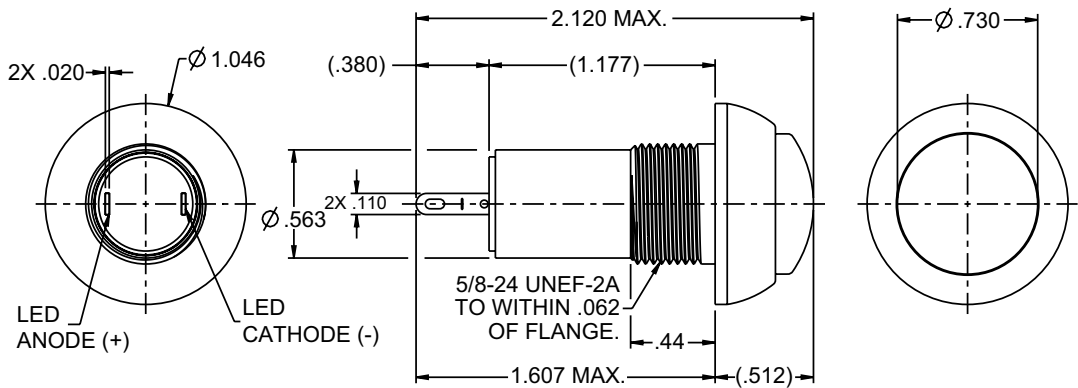
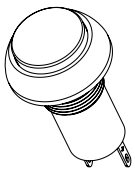
LPL-EO
Exposed Dome Button



LPL-FO
Flush Dome Button



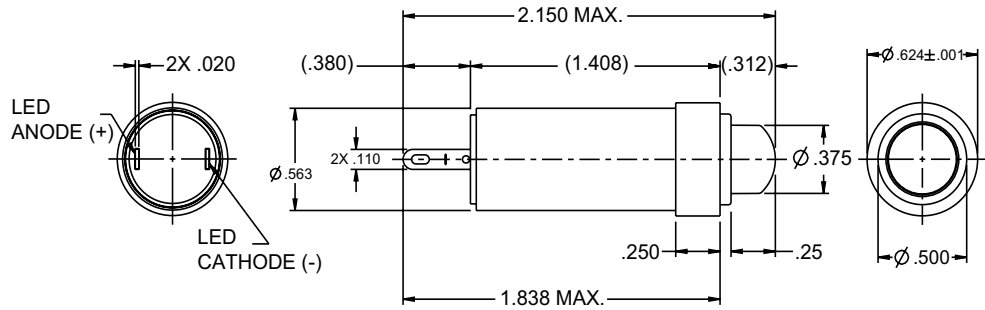
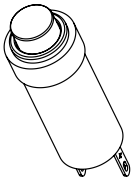
LPL-RO
Raised Dome Button



LED ILLUMINATED & SEALED

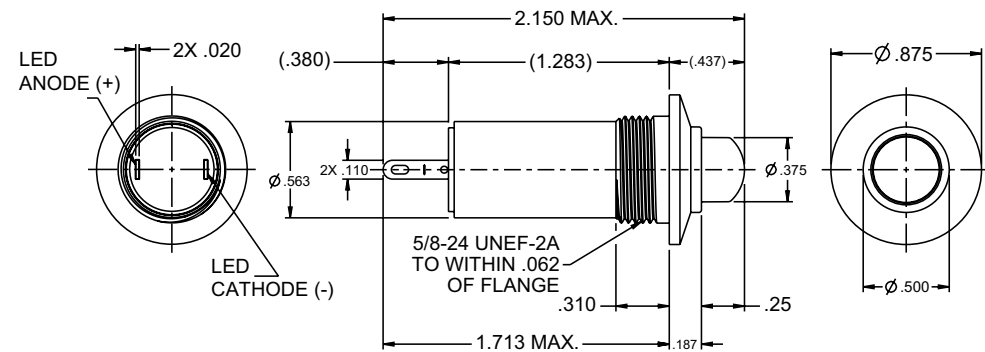
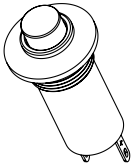
LPL-10

Press Fit Mount



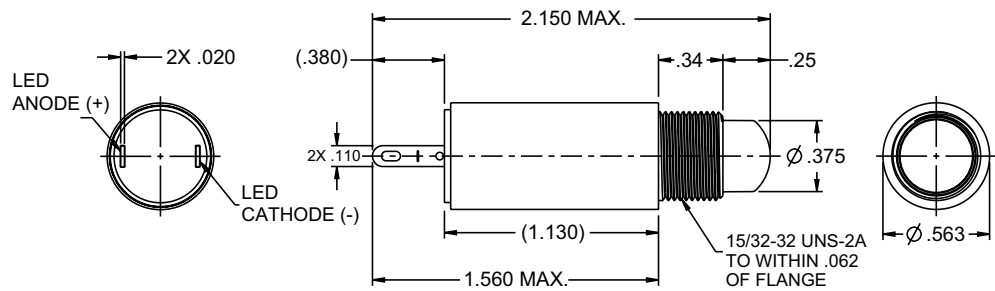
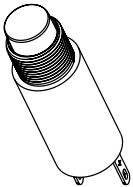
LPL-30

5/8" Threaded Front Mount



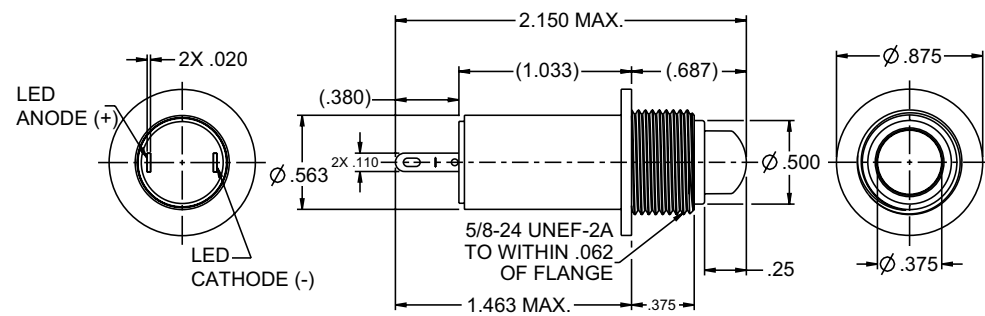
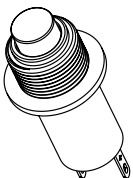
LPL-40

15/32" Threaded Rear Mount



LPL-60

5/8" Threaded Rear Mount



SNAP-IN PANEL MOUNTING

Standard Legends Per SAE Specifications

STANDARD LEGENDS PER SAE SPECIFICATIONS								
A1		ANCHOR	K2		UNLOCK	P5		BILGE BLOWER
B1		BATTERY	L1		LIGHT	R1		LIFT
B2		ELECTRIC POWER	L2		MASTER LIGHTING SWITCH	R2		LOWER
C1		AC/COOLING SYSTEMS	L3		HEADLIGHTS	R3		UP
C2		DEHUMIDIFIER	L4		HEADLIGHTS-LOW / DIPPED BEAM	R4		DOWN
C3		HEATER/INTERIOR HEATING	L5		HEADLIGHTS-HIGH / UPPER BEAM	R5		RIGHT
D1		WINDSHIELD DEFROSTER	L6		PARKING LIGHT	R6		LEFT
D2		REAR WINDOW DEFROSTER	L7		WORK LAMP	R7	FWD	FORWARD
D3		MIRROR DEFROSTER	L8		WORK LAMP	R8	REV	REVERSE
E1		ENGINE/START	L9		INTERIOR DOME LIGHT	S1		RADIO
E2		ENGINE/STOP	M1		BEACON	S2		MUTE
E3		ON/START	M2		HAZARD/POSITION LIGHTS	T1		FAST
E4	○	OFF/STOP	M3		CLEARANCE LIGHTS	T2		SLOW
E5	ON	ON	M4		SIDE MARKER LIGHT	T3		TRIM TAB / TRIMMING OPERATION
E6	OFF	OFF	M5		RUNNING LIGHTS (UNDER POWER)	T4		TRANSMISSION
E7		ENGINE ELECTRIC PREHEAT	M6		ANCHOR LIGHT	V1		VENTILATING / AC FAN
E8		ENGINE-GAS INJECTION	M7		RUNNING/ANCHOR LIGHTS	W1		WINDSHIELD WIPER
F1		FRONT FOG LIGHTS	M8		SEARCH LIGHT	W2		WINDSHIELD-WASHER
F2		REAR FOG LIGHTS	M9		LEFT TURN SIGNAL	W3		WINDSHIELD-WASHER/WIPER
G1		FUEL	MA		RIGHT TURN SIGNAL	W4		REAR WINDOW WIPER
H1		HORN	P1		BILGE PUMP #1	W5		REAR WINDOW-WASHER
H2		HORN REAR	P2		BILGE PUMP #2	W6		REAR WINDOW-WASHER/WIPER
K1		LOCK	P3		BILGE PUMP #3	ZZ		NO LEGEND
			P4		BILGE PUMP			

For legends not shown, please consult an OTTO representative.