

MOMENTARY ACTION, SHORTER BEHIND PANEL, SUBMINIATURE DOUBLE BREAK, SNAP-ACTION

The P8 Vandal Resistant series is a durable, robust switch, offering the same quality and precision tactile feedback found in the standard P8 series. With a variety of case, mounting and terminal styles and a mechanical life of 1,000,000 cycles, this stainless steel sealed switch is ideal for door access security systems, public transit systems, emergency phones, traffic signals, industrial and process control environments and anywhere that ruggedness, durability and security are crucial.

OTTO P8 series pushbutton switches feature a shortened back of panel depth while offering all the features of the regular size P1 and P3 series switches. P8 series switches offer vastly improved electrical and mechanical life under extreme conditions found in most military and industrial environments.

On sealed models, a silicone boot operating on our patented "rolling sleeve" principle protects the contact area against contamination at the button area. This boot provides long life and smooth operation over a wide temperature range. Sealed terminals protect the contact area from hostile environments and solder flux on both sealed and unsealed models.

High contact force (120g/4.2 oz), low contact resistance (25mΩ) and short contact bounce (5ms max) are all a result of our snap-action mechanism. These characteristics provide exceptional current carrying capabilities over the life of the switch. Optional low level (gold plate) configuration makes the P8-V switches well suited to interface directly to computers and other solid state devices.

Features:

- **Stainless steel vandal resistant case**
- **Aluminum security level case**
- **Watertight to IP68S and IP69K or moistureproof & dusttight to IP64**
- **Positive tactile feedback**
- **Less than 25mΩ contact resistance**
- **Variety of case and button styles available**
- **Mechanical life 1 million cycles**
- **UL recognized & CSA certified**
- **UL1500 ignition protected**
- **RoHS/WEEE/Reach compliant**



Flush Mount,
5/8" Thread Shown



Standard Characteristics/Ratings:	
ELECTRICAL RATINGS:	
Load	Sea Level @ 28VDC or 115VAC, 60/400Hz
Resistive	10A
Inductive	5A
Lamp	3A
DWV	1050Vrms
Low Level	10mA @ 30mV
Electrical Life:	100,000 cycles (25,000 low level)
Mechanical Life:	1,000,000 cycles
Seal:	IP64 or IP68S and IP69K
Operating Temp Range:	-55°C to +85°C
Operating Force:	2.5 lbs. +0.5/-1.0 lb. or 4.0 lbs. +/- 1.0 lb.
Total Travel:	0.085 +/- 0.015 inches
Overtravel:	0.012 inches min
Movement Differential:	0.015 inches min
MATERIALS:	
Case:	Anodized aluminum alloy or stainless steel
Button:	Anodized aluminum alloy or stainless steel
Terminals:	Standard silver plate or optional gold plate for low level applications
Terminal Hardware:	Terminal lugs, screws and lockwasher when applicable
Mounting Hardware:	Hex nut, lockwasher and panel seal gasket when applicable

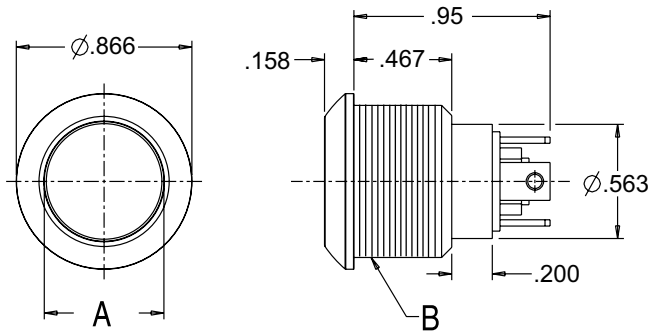
VANDAL RESISTANT PUSHBUTTONS

P8-V
COMPACT
PUSHBUTTONS

MOMENTARY ACTION, SHORTER BEHIND PANEL, SUBMINIATURE DOUBLE BREAK, SNAP-ACTION

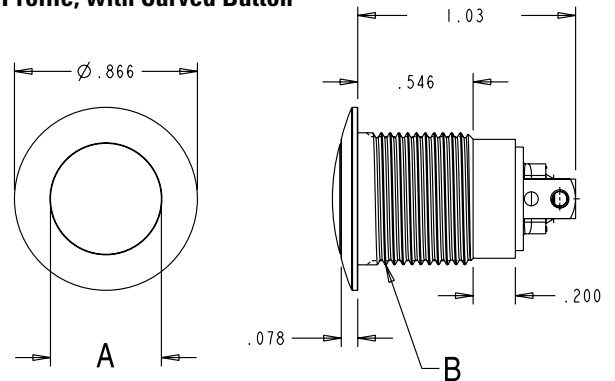
High Profile, with Flat Button

Style 1



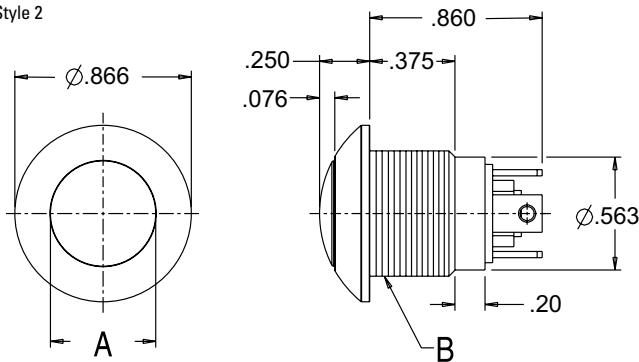
Low Profile, with Curved Button

Style 4



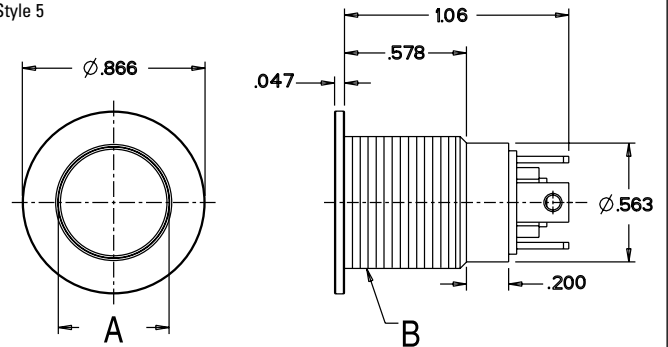
High Profile, with Curved Button

Style 2



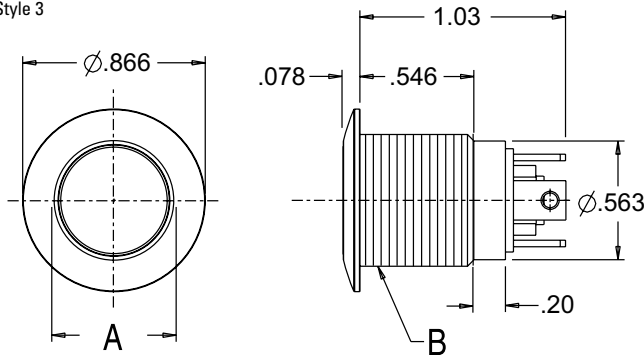
Flush Mount

Style 5



Low Profile, with Flat Button

Style 3



Dimension	Case Style	
	1 - 4	5 - 8
A (Button Dia.)	0.525	0.590
B (Thread)	0.625-24	0.750-20
D-Flat	0.594	0.718

P8-V PART NUMBER CODE

Type	Case Style & Mounting*	Terminal Style/ Case Color	Circuit Form	Current Rating/Seal	Operating Force	Button Profile
V. Vandal Resistant (SS Case & Button)	1. 5/8-24 & Hex Nut 3. 5/8-24 W/D-Flat & Hex Nut	1. Solder Terminal/Silver 2. Screw Terminal/Silver	1. N.O. 2. N.C.	2. Std./Splashproof 3. Std./Watertight	1. 2.5 lbs. 2. 4.0 lbs.	1. High Profile/Flat Button 2. High Profile/Curved Button
A. Security Level (AL Case & Button)	5. 3/4-20 & Hex Nut 7. 3/4-20 W/D-Flat & Hex Nut	3. Faston Terminal/Silver ②③ 4. Solder Terminal/Black ① 5. Screw Terminal/Black ① 6. Faston Terminal/Black ①②③	3. 3 Circuit 4. 2 Circuit	4. Low Level/Splashproof 5. Low Level/Watertight		3. Low Profile/Flat Button 4. Low Profile/Curved Button 5. Flush Profile

* For Knurl Nut options, contact factory.

① Only available on P8-A Styles

② Overall length +0.12" for faston terminals

③ Faston receptacles: 0.187" on N.O.; 0.110" on N.C. terminals

Specifications Subject To Change Without Notice

www.ottoexcellence.com 153